



www.gglifters.com

益合泊朗

主要产品 / MAIN PRODUCTS

- 汽车停车/存车设备 CAR PARKING/STORAGE LIFT
- 汽车举升机 CAR SERVICE LIFT
- 剪式举升平台 SCISSOR LIFTING PLATFORM
- 汽车升降机 4 POST CAR ELEVATOR
- 钢结构停车楼 STRUCTURE FRAME PARKING BUILDING



Qingdao GG Lifters Co.,Ltd

Add:NO. 557 Dazhushan South Road , Huangdao District 266400,Qingdao ,China
Tel:+86 (532) 82191966 82190277 82190377
Mobile/Whatsapp/Wechat:+86 17663916890
E-mail:marketing@gglifters.com

TEAMWORK



目录 Contents

◇ 公司简介/COMPANY PROFILE	
• 关于我们/ABOUT US	01/02
• 生产流程图/PRODUCTION PROCESS	03/04
◇ 停车设备/CAR PARKING LIFT	
• 单柱停车设备/SINGLE POST CAR PARKING LIFT	06
• 双柱停车设备/TWO POST CAR PARKING LIFT	07
• 四柱停车设备-2车位/FOUR POST CAR PARKING LIFT	08
• 高载重四柱停车设备(方管立柱款)/HIGH DUTY 4 POST CAR PARKING LIFT	09/10
• 四柱停车设备-4车位/FOUR POST CAR PARKING LIFT	11/12
• 俯仰停车设备/TILTING CAR PARKING LIFT	13
• 剪式停车设备/SCISSOR PARKING LIFT	14
• 子母四柱3车位停车设备/4 POST TRIPLE PARKING LIFT	15/16
• 垂直升降叠式立体车库/STACKER PARKING LIFT	17/18
• 电机地坑立体车库/MOTOR DRIVEN PIT CAR PARKING SYSTEM (PDK)	19
• 两柱液压地坑立体车库/ HYDRAULIC DRIVEN 2 POST PIT CAR PARKING SYSTEM (UTS)	20
• 剪式液压地坑立体车库/ HYDRAULIC UNDERGROUND SCISSOR PARKING SYSTEM (USS)	21
• 液压地坑立体车库/ HYDRAULIC UNDERGROUND PARKING SYSTEM (UPS)	22
• 升降横移式立体车库/PUZZLE PARKING SYSTEM	23
• 后悬臂式升降横移式立体车库/PUZZLE PARKING SYSTEM	24
• 垂直循环立体车库/ROTARY PARKING SYSTEM	25/26
◇ 汽车举升机/CAR SERVICE LIFT	
• 单柱举升机/SINGLE POST CAR LIFT	28
• 地盖板式双柱举升机/FLOOR PLATE TWO POST CAR LIFT	29
• 龙门式双柱举升机/CLEAR FLOOR TWO POST CAR LIFT	30
• 四柱举升机/FOUR POST CAR LIFT	31/32
• 摩托剪式举升机/SCISSOR MOTORCYCLE LIFT	33
• 地藏式中位剪式举升机/ FLOOR MID-RISE SCISSOR LIFT	34
• 移动小剪式举升机/MOVABLE SCISSOR LIFT	35
• 低位剪式举升机/LOW-RISE SCISSOR LIFT.....	36
• 平台剪/PLATFORM SCISSOR LIFT	37
• 中位剪/MID-RISE SCISSOR LIFT	38
• 子母剪式举升机/DOUBLE-LEVEL PLATFORM SCISSOR LIFT	39
• 两柱平衡阀举升机/BALANCE VALVE TWO POST LIFT	40
◇ 举升平台/ LIFTING PLATFORM	
• 剪式举升平台/SCISSOR LIFTING PLATFORM	41
• 汽车升降机/4 POST CAR ELEVATOR	42
◇ 钢结构停车楼/STRUCTURE FRAME PARKING BUILDING	
• 钢结构停车楼/STRUCTURE FRAME PARKING BUILDING	43
◇ REMARKS	
• REMARKS	45



Vision:

To be a universal manufacturer & supplier of high quality reasonable price car parking lifts.

Mission:

Produce the best quality to meet customers delight.
Do practical work to pursue superiority.
Keep unity to continue growing.

公司介绍

About Us

青岛益合泊朗机械有限公司是一家集设计、制造、安装于一体的世界一流的自动化和机械汽车停车设备和汽车举升机的企业。

我们的多国语言团队(英语、中文、意大利语、阿拉伯语、日语等)随时预测、识别和超越我们客户对我们的期望值。另外我们实施ERP管理系统，实现了多个部门数据和流程的有效整合和更好更快的运转。

本公司拥有丰富的技术知识，拥有先进的CNC等离子切割机、折弯机、剪板、激光切割、焊接设备等最新制造设备，保证每件产品的质量，在生产过程中达到国际制造标准。

该公司的研发团队致力于提供无与伦比的质量，同时保持高效、符合人体工程学的操作，以确保生产经久耐用且具有竞争力的停车设备、举升机，为商务楼和住宅提供最优的解决方案。

所有产品按照欧盟BS EN 1493: 2010 & BS EN 14010: 2003标准设计生产，部分产品通过欧盟2006/42/CE机械指令认证。

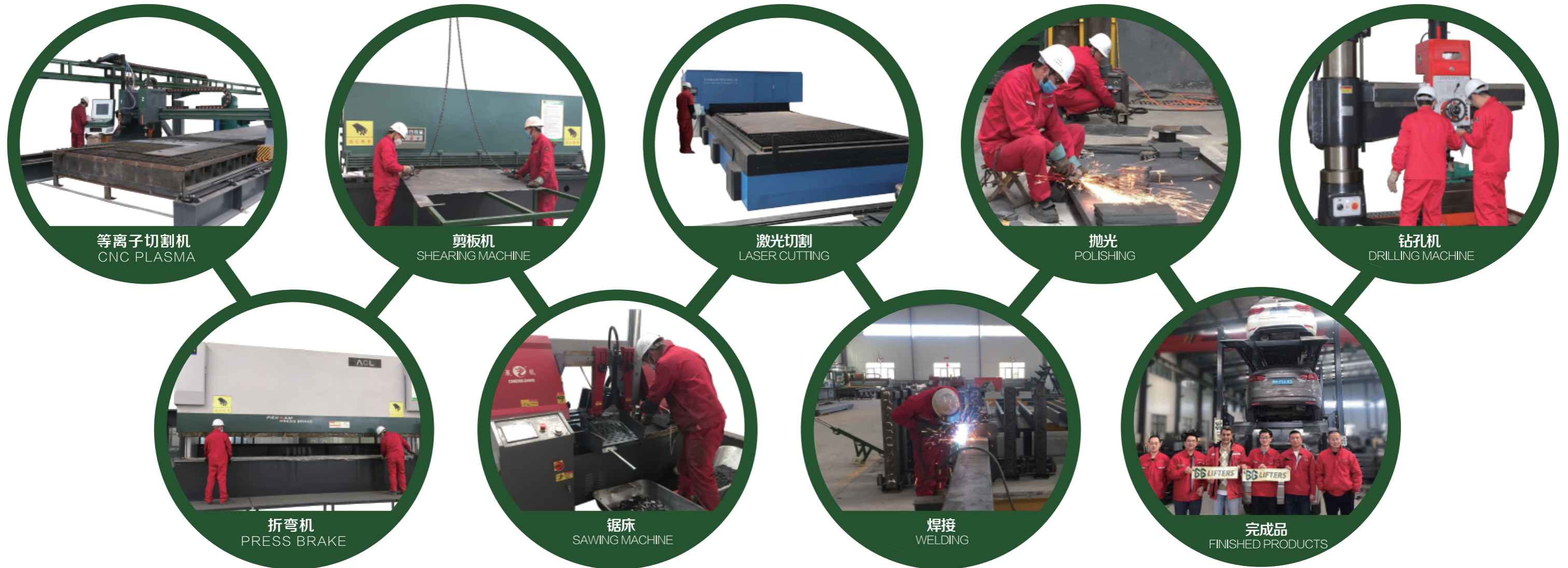
Qingdao GG Lifters Co., Ltd, an established Factory in Qingdao,China, with state of the art facility to design ,manufacture and install world-class solutions for automated and mechanical car parking and car service lifts offered to our customers worldwide.

Our competent team in multi languages (English, Chinese, Italian, Arabic, Japanese, etc) is well prepared to anticipate, identify and exceed our customers' expectations. In addition we implemented Enterprise Resource Planning (ERP) System to integrate data & processes across our multiple departments for better and faster performance.

GG Lifters enjoys excellent experience packed with strong technical know-how using latest manufacturing machines such as CNC Plasma, Press Brake, Shearing Machine , Laser Cutting and Welding to guarantee the quality of every single part with minimal error and meeting international manufacturing standards in all production stages.

GG Lifters through its Research and Development team is committed to provide unmatched quality yet maintaining efficient & ergonomic operation to insure producing durable and competitive parking lifts, service lifts for commercial and residential solutions.

Units are designed according to BS EN 1493: 2010 & BS EN 14010: 2003 standards and part products certified according to EC machinery directive 2006/42/CE.



生产流程 PRODUCTION PROCESS

本公司拥有丰富的技术知识，拥有先进的CNC等离子切割机、折弯机、剪板、激光切割机、钻孔、焊接设备等最新制造设备，保证每件产品的质量，在生产过程中达到国际制造标准。

所有产品按照欧盟BS EN 1493: 2010 & BS EN 14010: 2003标准设计生产，部分产品通过欧盟2006/42/CE机械指令认证。

GG Lifters enjoys excellent experience packed with strong technical know-how using latest manufacturing machines such as CNC Plasma, Press Brake, Shearing Machine, Laser Cutting, Drilling and Welding to guarantee the quality of every single part with minimal error and meeting international manufacturing standards in all production stages.

Units are designed according to BS EN 1493: 2010 & BS EN 14010: 2003 standards and part products certified according to EC machinery directive 2006/42/CE.

停车设备 CAR PARKING LIFT

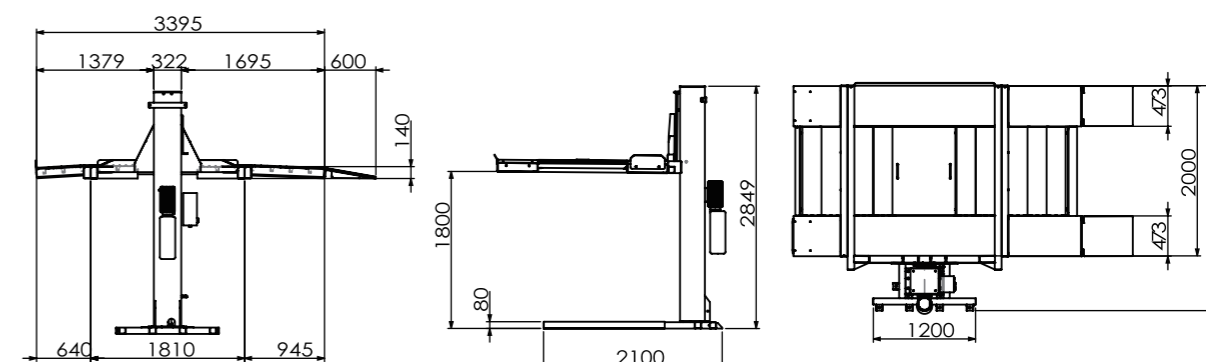
- 单柱停车设备 / SINGLE POST CAR PARKING LIFT
- 双柱停车设备 / TWO POST CAR PARKING LIFT
- 四柱停车设备-2车位 / FOUR POST CAR PARKING LIFT (TWO PARKING SPACE)
- 高载重四柱停车设备/ HIGH DUTY 4 POST CAR PARKING LIFT (TUBE COLUMN TYPE)
- 四柱停车设备-4车位 / DOUBLE WIDE 4 POST CAR PARKING LIFT (FOUR PARKING SPACE)
- 俯仰停车设备 / TILTING CAR PARKING LIFT
- 剪式停车设备 / SCISSOR PARKING LIFT
- 子母四柱3车位停车设备 / 4 POST TRIPLE STACKER CAR PARKING LIFT
- 垂直升降叠式立体车库 / STACKER PARKING LIFT
- 地坑升降式立体车库 / MOTOR DRIVEN PIT CAR PARKING SYSTEM (PDK)
- 两柱液压地坑立体车库 / HYDRAULIC DRIVEN 2 POST PIT CAR PARKING SYSTEM (UTS)
- 剪式液压地坑立体车库 / HYDRAULIC UNDERGROUND SCISSOR PARKING SYSTEM (USS)
- 4柱液压地坑立体车库 / HYDRAULIC UNDERGROUND PARKING SYSTEM (UPS)
- 升降横移式立体车库 / PUZZLE PARKING SYSTEM
- 后悬臂式升降横移立体车库 / PUZZLE PARKING SYSTEM (CANTILEVER)
- 垂直循环立体车库 / ROTARY PARKING SYSTEM



产品特性 Product features

- 通过欧盟2006/42/CE机械指令认证
- 单级单油缸举升，液压链条驱动
- 自动锁紧，电动解锁，多级锁紧系统安全可靠
- 体积小，设计合理
- 跑板材用花纹板，中间为镀锌波浪板
- 折叠上车板，易于低底盘车辆停放
- 省空间，适用于较狭窄的区域，车停在载车板上不堵塞道路
- 可自由进出，适于家庭等场所停车
- 表面抛丸喷塑或镀锌处理，美观耐用

CE Certified according to EC machinery directive 2006/42/CE
Hydraulic driven and chain lifting system.
Single stage hydraulic cylinder.
Automatic lock & electric Lock release
Compact size and streamlined design without need for maneuvering area.
Space saving, free entrance and exit .Suitable for residential use.
Usability in corridors , aisles to park the car on platform without blocking the road.
Platform runway made of diamond steel plates.
Removable Corrugated Galvanized Steel Plates in the middle.
Folded diamond steel ramps make a much easier parking for sports cars.
Steel parts are sandblasted then anti-corrosion primer painted and top finish color coated or galvanized.



产品参数 Product parameters

型号 (Model No.)	POP20/1850
举升重量 (Lifting Capacity)	2000 Kg
最大举升高度 (Max Lifting Height)	1820 mm
解锁方式 (Lock Release)	电动解锁 (Electric Unlock)
外部尺寸 (External Dimension)	3995 x 2644 x 2849 mm
停车宽度 (Parking Width)	2000 mm
跑板中间 (Middle of Runway)	波浪板 Removable Corrugated Galvanized Steel Plates
上升/下降时间 (Rise/Drop Time)	60 S / 50 S
电源/功率 (Power Supply/ Motor Capacity)	220 V / 380 V , 50 Hz / 60 Hz , 1 Ph / 3 Ph , 2.2 Kw

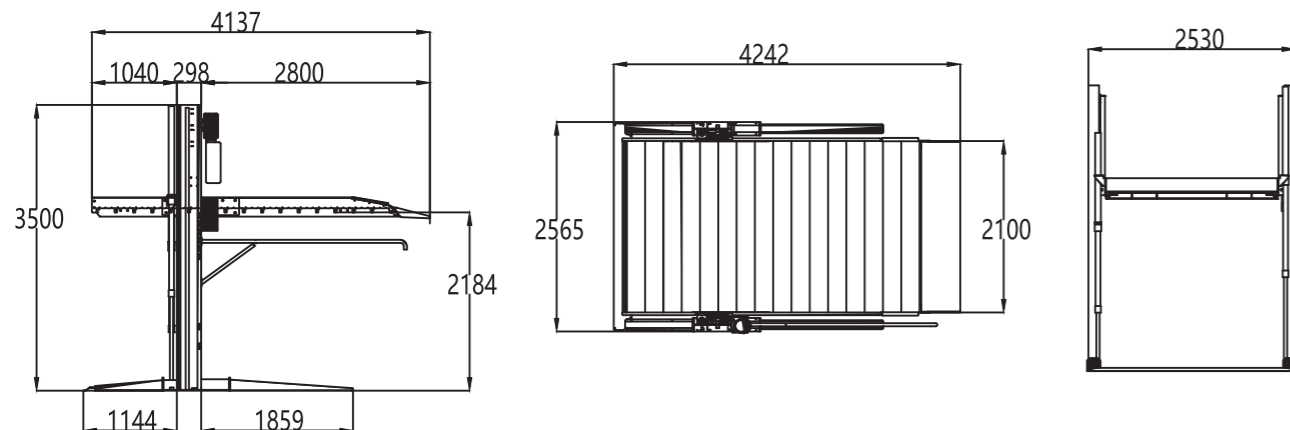




» 产品特性 Product features

- 双级双油缸举升，液压驱动链条平衡系统
- 机械锁紧，电动解锁。配有电控盒，方便操作
- 8级止落滑块，确保不同高度的安全
- 滑动部分采用高分子聚乙烯滑块，耐磨
- 载车平台镀锌或是喷塑，色彩美观，可选用波浪板或花纹板
- 适用于商用，住宅等各种场所停车，可多组连体使用
- 表面抛丸喷塑处理，美观耐用

Hydraulic driven and chain balance system.
 Two stage dual-cylinder lifting.
 Automatic lock & electric Lock release
 Anti-falling mechanical locks (8 holes) at different heights to ensure safety.
 Operation control box (UP, DOWN & EMERGENCY).
 High polymer polyethylene slide blocks, wear-resistance.
 Suitable for commercial and residential use.
 Space saving, possibility to share posts for multiple connected units.
 Steel parts are sandblasted then anti-corrosion primer painted and top finish color coated



产品参数 Product parameters

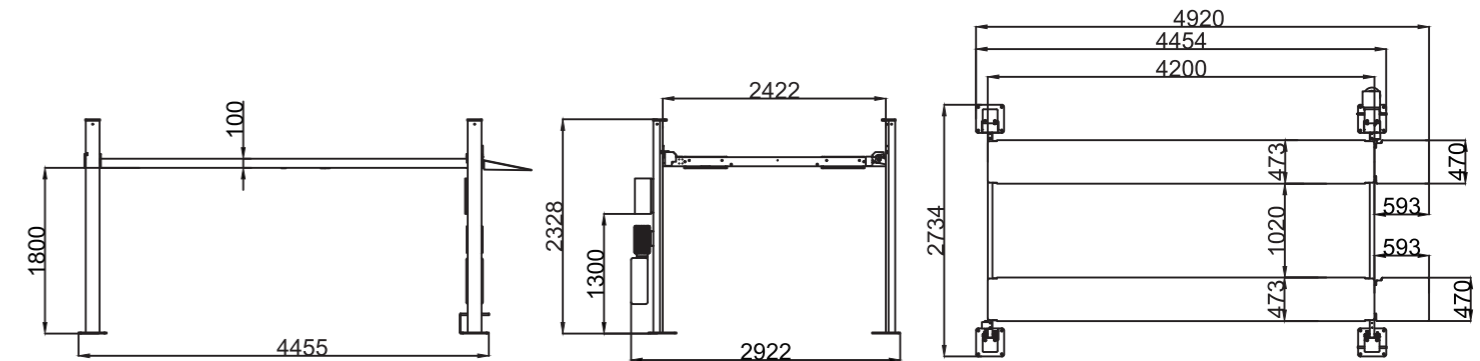
型号 (Model NO)	PTP23/2100	PTP27/2100	PTP30/2100
举升重量 (Lifting Capacity)	2300 Kg	2700 Kg	3000 Kg
举升高度 (Lifting Height)	2100 mm	2100 mm	2300 mm
立柱高度 (Post Height)	3000 mm	3500 mm	3500 mm
车道宽度 (Drive Through)	2100 mm	2100 mm	2300 mm
毛重 (Gross Weight)	950 Kg	1050 Kg	1150 Kg
包装尺寸 (Packaging Dimension)	3800 x 800 x 800 mm	3850 x 1000 x 970 mm	3850 x 1000 x 970 mm
装箱数量 Shipping load	8 - 10 pcs/20' GP		
	18 - 20 pcs/40' GP		
解锁方式 (Lock Release)	电动解锁 Electric unlock		
上升/下降时间 (Rise / Drop Time)	70 S / 60 S		
电源/功率 (Power Supply/Motor Capacity)	220 V / 380 V , 50 Hz / 60 Hz , 1 Ph / 3Ph, 2.2 Kw		



» 产品特性 Product features

- 液压钢丝绳驱动，单节油缸
- 高分子聚乙烯滑块，耐磨
- 上车版和跑道采用花纹板
- 中间使用可移动镀锌波浪板
- 四根柱子内的止落块保证不同高度的安全
- 表面抛丸喷塑处理，美观耐用

Hydraulic driven, steel rope lifting system.
 Single stage dual-cylinder lifting.
 High polymer polyethylene slide blocks, wear-resistance.
 Platform runway & ramps made of diamond steel plates.
 Movable galvanized steel plates in the middle.
 Anti-falling mechanical locks in four posts at different heights to ensure safety.
 Steel parts are sandblasted then anti-corrosion primer painted and top finish color coated.



产品参数 Product parameters

型号 (Model NO)	PFP27/1800	PFP27/2000	PFP36/1800	PFP36/2000
举升重量 (Lifting Capacity)	2700 Kg	2700 Kg	3600 Kg	3600 Kg
最大举升高度 (Max Lifting Height)	1800 mm	2000 mm	1800 mm	2000 mm
车道宽度 (Drive through)	1966 mm			
跑板中间 (Middle of runway)	波浪板 Moveable galvanized steel plates			
解锁方式 (Lock Release)	手动解锁/电动解锁 Manual Unlock / electric unlock			
外形尺寸 (External dimension)	4920 x 2922 x 2328 mm			
上升/下降时间 (Rise/Drop Time)	70 S / 60 S			
电源/功率 (Power Supply/Motor Capacity)	220 V / 380 V , 50 Hz / 60 Hz , 1 Ph / 3 Ph , 2.2 Kw			

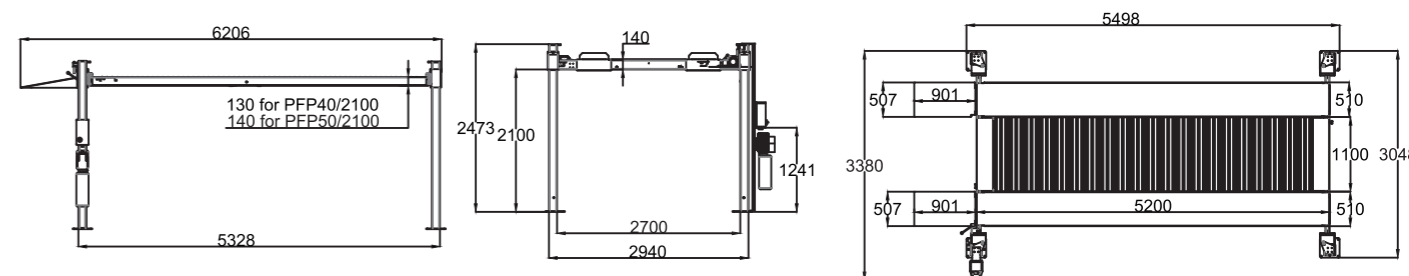


高载重四柱停车设备（方管立柱款）

HEAVY DUTY 4 POST CAR PARKING LIFT (TUBE COLUMN TYPE)

» 产品特性 Product features

- 高载重量，最高可达5吨。
 - 超宽的载车板（2120mm）和进车宽度，跑板长度5200mm,锁紧高度最高可达2100mm。
 - 采用12*12 cm立柱，直径15cm钢丝绳轮，加强横梁，超宽跑板（510mm），钢丝绳等保证高载重。
 - 跑板间轨道以及跑版内的加强装置，起到加强作用。
 - 安全可靠的机械锁紧系统，有手动解锁或电动解锁可选。
 - 电动按钮操控，一个限位开关。
 - 跑板中间有波浪板或者花纹板。
 - 另有铝制上车板，二次举升小剪，移动脚轮可供选择。
1. With high lifting capacity up to 5 Tons (11000 lbs).
 2. Super wide platform to be 2120mm (72'4") and drive through clearance, and length of runway to be 5200mm (170'7"). A full 2100mm (82") of clearance under the platform while resting on the top lock.
 3. 12 * 12 cm (5" x 5") posts with 6" x 6" steel wire rope pulley, thicker crossbeam, 510 mm (20") wide runway increased cable to handle heavy duty.
 4. Tracks between runways and support plate in runways for extra strength
 5. Reliable mechanical locking system.
 6. Manual lock release or electric lock release.
 7. Operation buttons with electric operation control panel.
 8. Limit switch on post to avoid car hitting ceiling.
 9. Wave plates or diamond plates in the middle of runway.
 10. Optional aluminum ramp, rolling jack and caster kit.
 11. Suit to dually trucks, and other wider trucks such as the Ford Raptor.



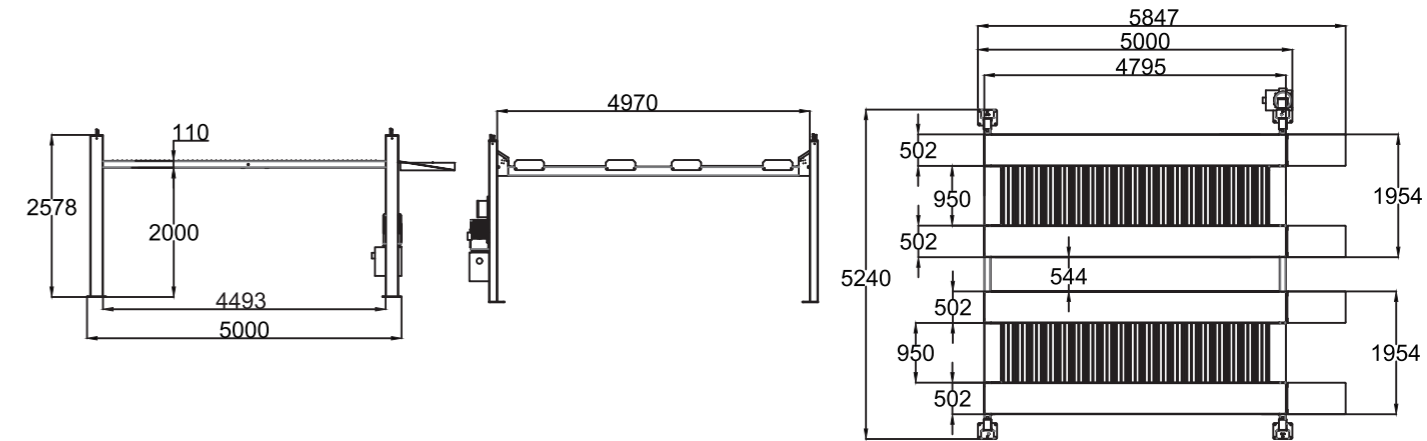
产品参数 Product parameters

型号 (Model NO)	PFP40/2100	PFP50/2100
举升重量 (Lifting Capacity)	4000 Kg	5000 Kg
最大举升高度 (Max Lifting Height)	2100 mm	2100 mm
解锁方式 (Lock Release)	电动解锁 Electric Unlock	
外部尺寸 (External Dimension)	5375 x 4800 x 2226 mm	
停车宽度 (Parking Width)	2120 mm	
上升/下降时间 (Rise/Drop Time)	70 S / 60 S	
电源/功率 (Power Supply/Motor Capacity)	220 V / 380 V , 50 Hz / 60 Hz , 1 Ph / 3 Ph , 2.2 Kw	



» 产品特性 Product features

- 可供4辆车停车使用。
 - 可根据场地定制尺寸，比普通四柱，更省空间。
 - 双重安全锁，保障安全：机械锁紧以及钢丝绳防断锁。
 - 电动操作，电动解锁，方便操作。
 - 中间采用镀锌波浪板。
 - 表面喷塑工艺，美观耐用。
1. Offering space for 4 cars parking
 2. Customized according to layout, Space & cost saving due to its compact design.
 3. Double safety locks: first are one piece adjustable safety lock ladder and the other will be activated automatically in case of steel wire rupture.
 4. Hydraulic driven and steel rope lifting system.
 5. Operation buttons with electric operation control panel.
 6. Automatic locking system with electric lock release.
 7. The whole sliding framework synchronous balance system.
 8. Suitable for multi-vehicle parking & storage.
 9. Steel parts are sandblasted then anti-corrosion primer painted and top finish color coated.



四柱停车设备--4车位

DOUBLE WIDE 4 POST CAR PARKING LIFT

(FOUR PARKING SPACE)

产品参数 Product parameters

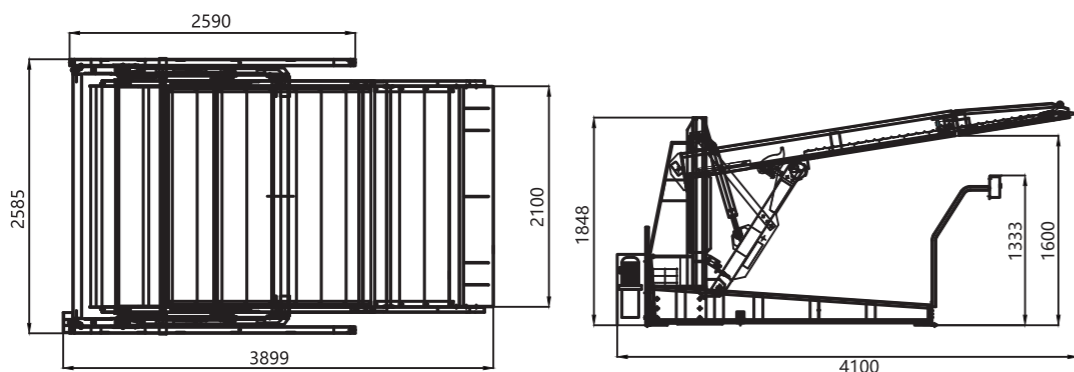
型号 (Model NO)	PFP40/2000
举升重量 (Lifting Capacity)	4000 Kg
最大举升高度 (Max Lifting Height)	2000 mm
解锁方式 (Lock Release)	电动解锁Electric Unlock
外部尺寸 (External Dimension)	5847 x 5240 x 2578 mm
停车宽度 (Parking Width)	1954 x 2 mm
上升/下降时间 (Rise/Drop Time)	70 S / 60 S
电源/功率 (Power Supply/Motor Capacity)	220 V / 380 V , 50 Hz / 60 Hz , 1 Ph / 3 Ph , 2.2 Kw



» 产品特性 Product features

- 单级双油缸举升, 平稳可靠
- 立柱高度低, 举升角度可调节, 可应用于低层高车库
- 电动解锁
- 可设计为遥控式
- 设计平衡轴确保同步平衡
- 表面抛丸喷塑处理, 色彩美观, 经久耐用

Single-stage dual-cylinder lifting system
Electric release system.
Low post, high lifting and falling speed.
Adjustable platform angle suitable for low-ceiling garage.
Balance shaft to ensure synchronous balance.
Steel parts are sandblasted then anti-corrosion primer painted and top finish color coated.



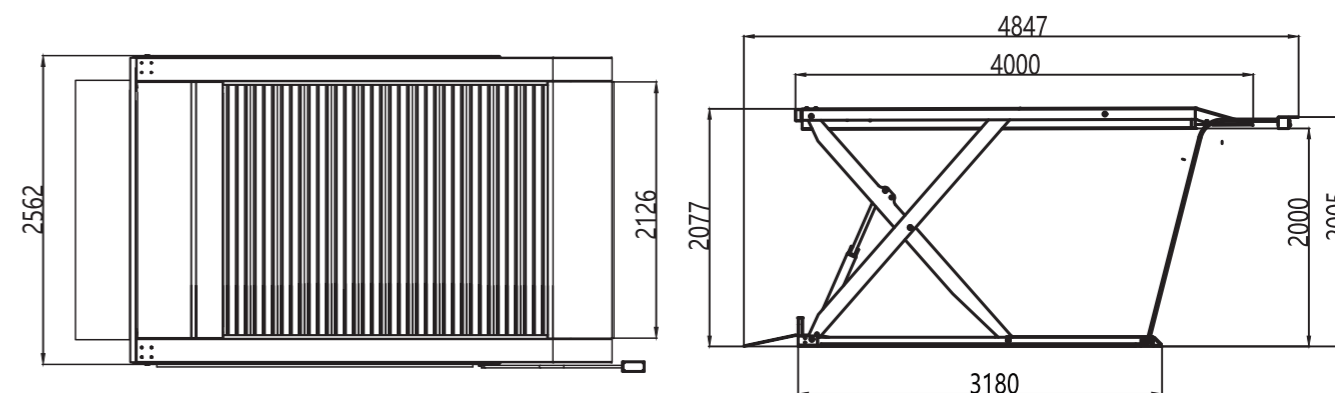
产品参数 Product parameters

型号 (Model No.)	PTT20/1700
举升重量 (Lifting Capacity)	2000 Kg
举升高度 (Lifting Height)	1600 mm
总高度 (External Height)	1848 mm
总宽度 (Overall Width)	2585 mm
车道宽度 (Drive Through)	2100 mm
上升/下降时间 (Rise/Drop Time)	50 S / 40 S
停车数量 (Parking Quantity)	2 cars
操作方式 (Operation Mode)	自动或手动 automatic/manual
温度 (Temperature)	-20—45°C
解锁方式 (Lock Release)	电动解锁 Electric unlock
安装空间 (Installation Space)	5295 x 2750 x 2094 mm
电源/功率 (Power Supply/Motor Capacity)	220 V / 380 V, 50 Hz / 60 Hz, 1 Ph / 3 Ph, 2.2 Kw

» 产品特性 Product features

- 落地空间小, 交叉立柱, 单级双油缸举升, 油缸设置在立柱内, 节省空间
- 平衡阀自动调节平衡, 运行平稳
- 自动锁紧和解锁, 安全可靠
- 载车平台可选用波浪板或是花纹板
- 金属部分表面喷塑处理, 色彩美观, 经久耐用

Foldable posts' design to occupy small space.
Single stage dual-cylinder lifting system.
Balance valve to ensure automatic synchronization of both posts.
Automatic lock & electric Lock release
Platform with optional wave or diamond plates.
Steel parts are sandblasted then anti-corrosion primer painted and top finish color coated



产品参数 Product parameters

型号 (Model No.)	PSL20/2000
举升重量 (Lifting Capacity)	2000 Kg
总高度 (External Height)	2077 mm
总宽度 (Overall Width)	2450 mm
车道宽度 (Drive Through)	2126 mm
举升高度 (Lifting Height)	2000 mm
安全设施 (Safety Device)	安全锁 Safety lock
操作方式 (Operation Mode)	自动 Automatic
安装空间 (Installation Space)	4500 x 2750 x 2200 mm
上升/下降时间 (Rise/Drop Time)	50 S / 40 S
电源/功率 (Power Supply / Motor Capacity)	220 V / 380 V, 50 Hz / 60 Hz, 1 Ph / 3 Ph, 2.2 Kw



子母四柱3车位停车设备 4 POST TRIPLE STACKER PARKING LIFT

» 产品特性 Product features

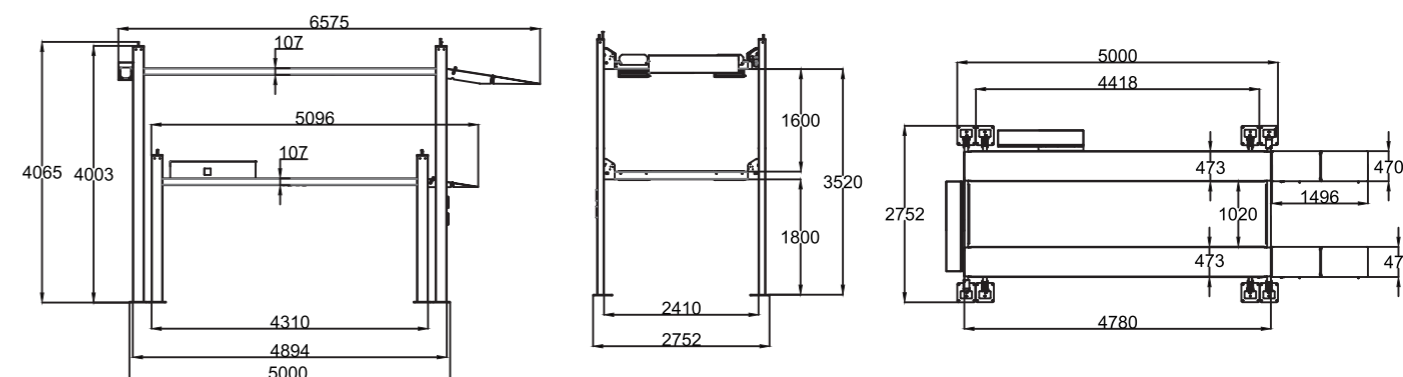
- 通过欧盟2006/42/CE机械指令认证
- 两台独立的四柱停车设备安装在一起，大设备套在小设备外面。
- 液压钢丝绳驱动
- 双重安全锁结构，一个是可调节的滑衬，另一个是钢丝绳防断装置。
- 折叠上车版适合跑车，并且占用更少的空间
- 机械自动锁紧，电动解锁。
- 外面的大四柱停车设备的动力单元和电控箱安装在跑板后面。
- 里面的小四柱停车设备的动力单元和电控箱安装在立柱后面。
- 两台四柱停车的操控盒是独立的，都安装在大四柱停车设备的前立柱上。
- 跑板上安装有挡车板。
- 喷塑工艺，美观耐用。

CE Certified according to EC machinery directive 2006/42/CE
2 separated 4 post car parking lifts installed together, one external and one internal.
Hydraulic driven cylinder with wire rope lifting system through sheaves.
Double safety locks in each post: first are one piece adjustable safety lock ladder and the other will be activated automatically in case of steel wire rupture.
Foldable ramps suitable for sport cars and occupy less space.
Automatic locking system of the latches inside ladders while electromagnetic lock release through push button on operation box.
Electric control panel& hydraulic power unit of external lift will be placed inside a compartment fixed to the back side of its platform.
Electric control panel& hydraulic power unit of internal lift will be fixed behind its post.
Separate Operation box for each lift, will be fixed on the front right post.
Wheel stoppers on upper platform.
Steel parts are sandblasted then anti-corrosion primer painted and top finish color coated.



» 产品参数 Product parameters

型号 (Model No.)	PEP54 /3500
举升重量 (Lifting Capacity)	1800/3500 mm
举升高度 (Lifting Height)	2700 kg / platform, and 5400 kg totally
载车板尺寸 (Platform size)	Lower : 4198 x 1966 mm & Upper : 4780 x 1966 mm
外形尺寸 (External Dimension)	6575 *2752*4065 mm
载车板中间 (Middle between runway)	Galvanized steel wave plates / diamond plates
操作方式 (Operation Mode)	Push buttons on operation box
解锁方式 (Lock release type)	Electromagnetic lock release
安全装置 (Safety Devices)	One piece adjustable safety lock ladder and the other is activated automatically in case of steel wire rupture
上升/下降时间 (Rise/Drop Time/Lifting Speed)	60 S / 50 S
电源/功率 (Power Supply / Motor Capacity)	220 V / 380 V , 50 Hz / 60 Hz , 1 Ph / 3 Ph, 2.2 Kw





垂直升降叠式 立体车库

STACKER PARKING LIFT

» 产品特性 Product features

- 多层堆叠式垂直布置，不可横移，液压油缸驱动整体升降平台四角使用钢丝绳举升
- 每层载车平台都有自动锁紧，所有平台同时解锁，统一由一个解锁手把控制
- 钢丝绳断裂装置增加安全性。每根柱子上都有机械锁防止坠落
- 立柱可连体使用，可设计成三连体至十连体，也可前后纵列，适用于汽车贸易商等
- 表面有膨胀型阻燃涂料，适用于室内

Four post multi-level parking system with hydraulic driven and steel rope lifting system.

Automatic lock at every platform level to ensure safety.

Mechanical locks at all heights in all posts to prevent falling & collision.

Steel rope break protection mechanism to increase safety.

Parachute valve at hydraulic cylinder to avoid oil pressure drop.

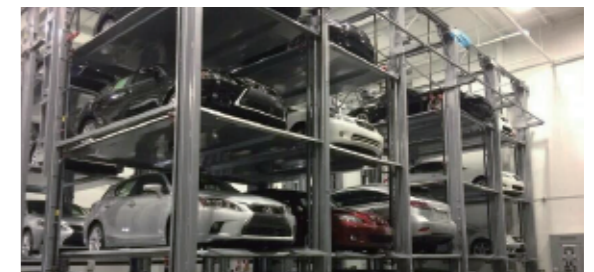
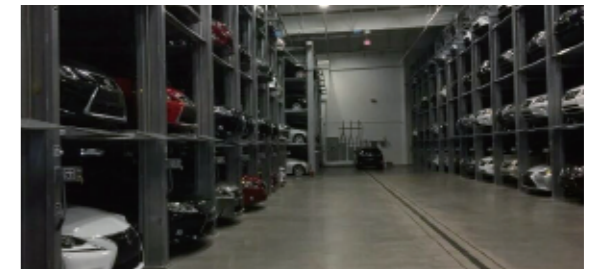
Simultaneously manually unlock for all platforms at all levels.

Space saving, possibility to share posts for multiple connected units.

Suitable for car dealers & car service centers.

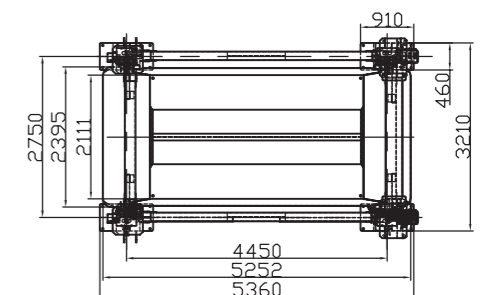
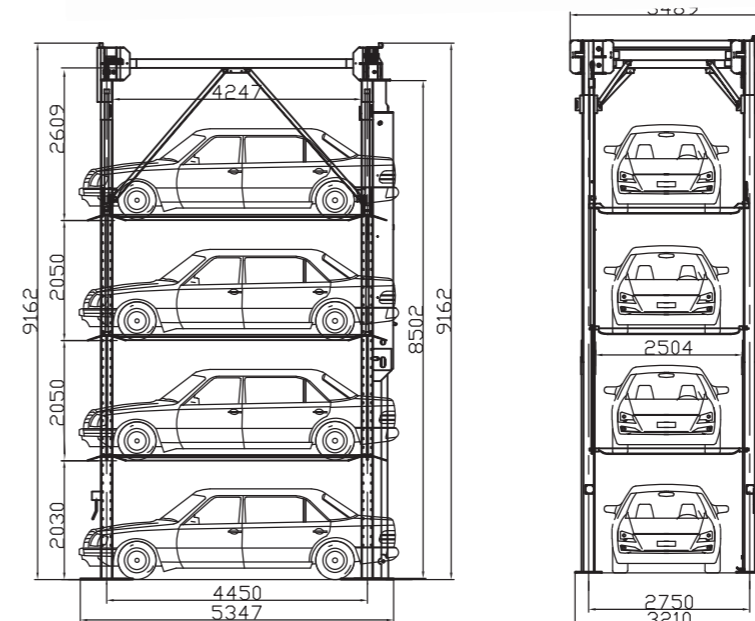
Steel parts are sandblasted then anti-corrosion primer painted and to finish color coated.

Possibility to have intumescent fire retardant coat for indoor application.



» 产品参数 Product parameters

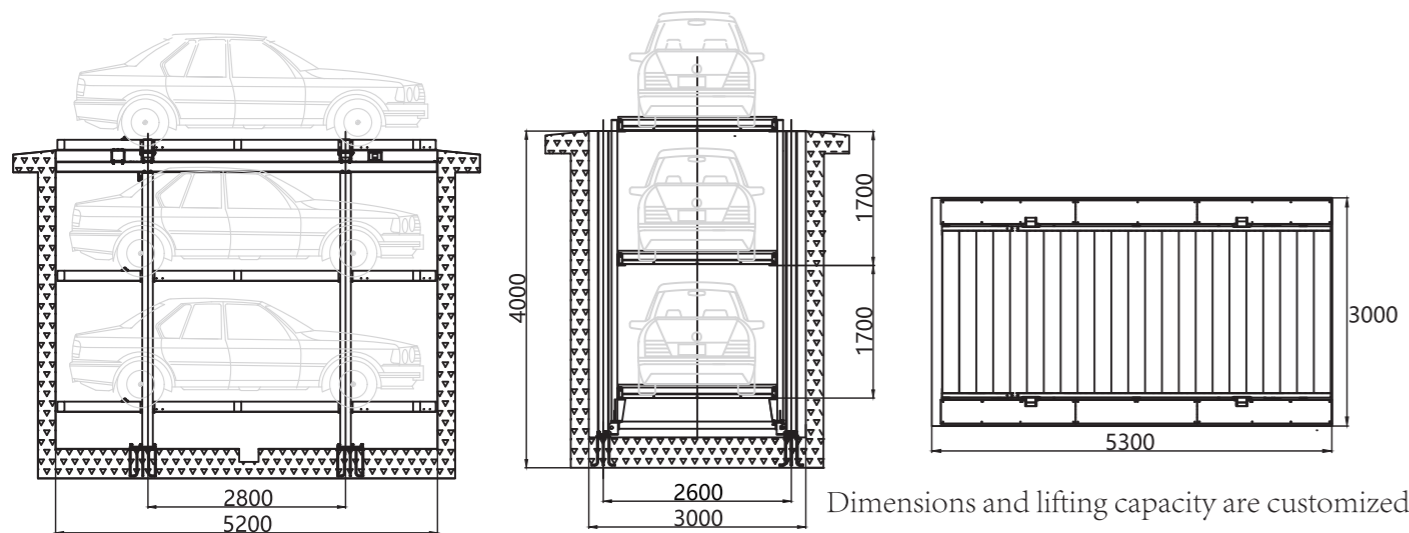
型号 (Model No.)	PFS25/G+2	PFS25/G+3	PFS30/G+3
举升重量 (Lifting Capacity)	2500 Kg	2500 Kg	3000 Kg
举升高度 (Lifting Height)	2030 mm	2030 mm	2050 mm
车道宽度 (Drive Through)	2100 mm	2100 mm	2200 mm
总宽度 (Overall Width)	3400 mm	3400 mm	3489 mm
总高度 (Overall Height)	6690 mm	8720 mm	9162 mm
驱动方式 (Device Mode)	液压油缸驱动+ 钢丝绳 Hydraulic cylinder driven + wire rope		
操作方式 (Operation Mode)	自动/按压开关/转动钥匙 Automatic /Push Button/Turn Keys		
上升/下降时间 (Rise/Drop Time/Lifting Speed)	50 S / 40 S 4 M / Min	60 S / 50 S 4 M / Min	60 S / 50 S 4 M / Min
电源 (Power Supply)	5.5 Kw		7.5Kw
电机功率 (Motor Capacity)	220 V / 380 V , 50 Hz / 60 Hz , 1 Ph / 3 Ph		



产品特性 Product features



- 通过欧盟2006/42/CE机械指令认证
 - 电驱动，链条平衡系统
 - 充分利用地下空间，地面上没有钢建筑结构
 - 上下车位整体升降，平时沉于地坑，上层车位与地面等平，可以直接存取，升起后可存取下层车
 - 载车平台采用波浪板，整体冷弯成型，抗压性强
 - 设有多重安全保护装置，保证安全
 - 可根据客户要求设计，适用于商用和住宅停车
 - 配有人车误入感应器，升降前确保无人
- CE Certified according to EC machinery directive 2006/42/CE Motor driven and chain balance system.
Fully utilization of underground space.
Directly park or pick up the car at any level independently.
Galvanized wave plates platforms, cold bending and strong pressure & humidity resistance.
Anti-falling hooks on 4 posts to ensure safety.
Flexible designed according to customer requirements, suitable for residential & commercial use.
Electric sensors to confirm no persons or objects before rising up/down the platforms.



产品参数 Product parameters

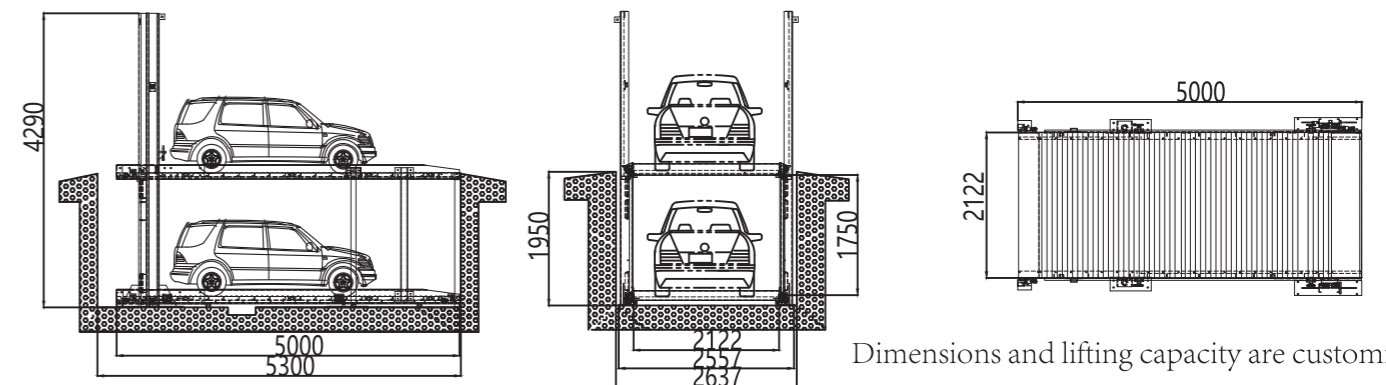
型号 (Model No.)	PDK20L2/C	PDK25L2/C	PDK20L3/C
举升重量 (Lifting Capacity)	2000 Kg	2500 Kg	2000 Kg
举升高度 (Lifting Height)	1700 mm	2100 mm	1700 mm
升降速度 (Vertical Speed)	2-3 M / Min	4-6 M / Min	2-3 M / Min
解锁 (Lock Release)	电动解锁 Electric Unlock		
外形尺寸 (External Dimension)	5200 x 2900 x 2360 mm	5300 x 2900 x 2730 mm	5200 x 2900 x 4060 mm
驱动方式 (Drive Mode)	电机 + 链条 Motor + Chain		
容车尺寸 (Vehicle Size)	5000 x 1850 x 1550 mm	5200 x 2000 x 1980 mm	5000 x 1850 x 1550 mm
停车方式 (Parking Mode)	一地上，一地下 1 underground, 1 on the ground	一地上，两地下 1 on the ground, 2 underground	
停车数量 (Parking space)	2		3
上升/下降时间 (Rise/Drop Time)	70 S / 60 S		
电源/功率 (Power Supply / Motor Capacity)	220 V / 380 V , 50 Hz / 60 Hz , 1 Ph / 3 Ph , 3.7 Kw		220 V / 380 V , 50 Hz / 60 Hz , 1 Ph / 3 Ph , 5.5 Kw

产品特性



- 液压+链条驱动，两车位整体升降
- 节省地面，充分利用地下空间，室内外均可用，可设计成三联体，五连体，十连体不等
- 上下车位整体升降，平时沉于地坑，上层车位与地面等平，可以直接存取，升起后可存取下层车
- 载车板采用波浪板整体冷弯成型，抗压性强，且具有很强的抗腐蚀能力
- 采用多重保护装置，确保人员安全
- 可根据客户要求设计，适用于家用及商用
- 声光报警器确保升降时人员安全

Hydraulic driven and chain balance system.
Fully utilization of underground space.
Directly park or pick up the car at any level independently.
Galvanized wave plates platforms, cold bending and strong pressure & humidity resistance.
Multiple mechanical locks on posts to ensure safety.
Flexible designed according to customer requirements, suitable for residential & commercial use.
Electric sensors to confirm no persons or objects before rising up/down the platforms.



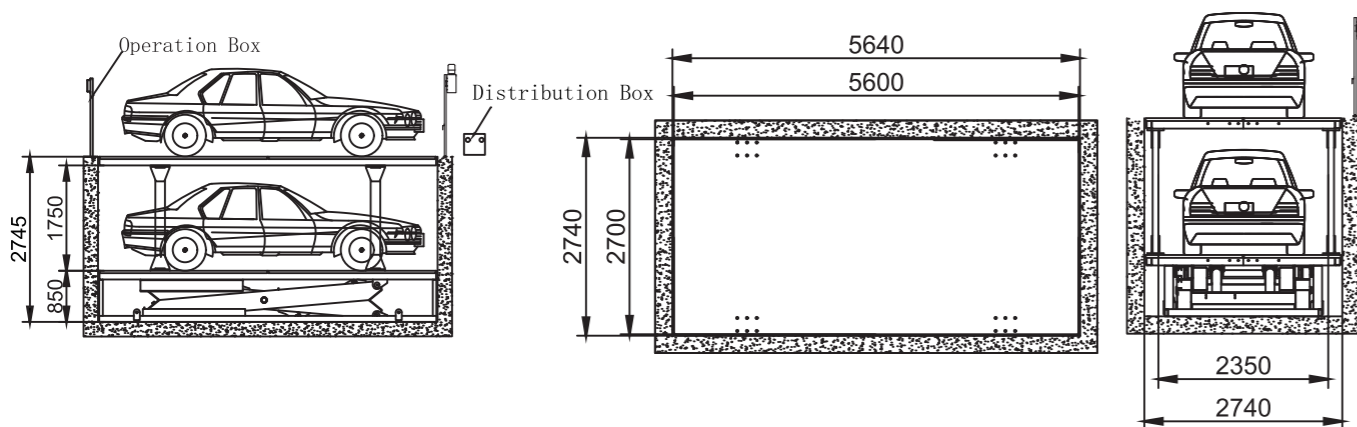
产品参数 Product parameters

型号 (Model NO)	UTS20/2	UTS25/2
举升重量 (Lifting Capacity)	2000 Kg	2500 Kg
总高度 (Total Height)	4290 mm	4290 mm
容车尺寸 (Vehicle Size)	5000 x 1850 x 1750 mm	4850 x 1950 x 2000 mm
驱动方式 (Drive Mode)	液压和链条 Hydraulic Driven + Roller Chain	
电源/功率 (Power Supply/Motor Capacity)	220 V / 380 V , 50 Hz / 60Hz, 1Ph/3Ph, 3.7Kw 2.6 M / Min	
停车数量 (Parking Space)	2	
安全保护 (Safety Device)	防坠落装置 Anti-falling device	
操作方式 (Operation Mode)	自动/手动 Automatic/ Manual	

» 产品特性 Product features

- 集成液压泵站节省空间，有效防止漏油
- 4根油缸设计，运行平稳有力
- 高质量轴承使用寿命长
- 电动操作盒带有急停按钮，点控操作
- 底座上的U型轨道带滑轮，上下运行顺滑限位开关
- 油缸底部的油管防爆阀
- 可根据客户要求设计，适用于商用和住宅停车
- 配有人车误入感应器，升降前确保无人

Integrated Hydraulic pumping station save space and reduce the leakage of oil. High quality of bearings offers long service life. Operation electric box with emergency switch and Dead Man push buttons with Switch Key. Base frame with U channels to guide sliding blocks / rollers during raising up & Lowering down. Hose burst/ rupture valve located at hydraulic cylinder to prevent back flow of pressurized oil in the system after the valve. Flexible designed according to customer requirements, suitable for residential & commercial use. Electric sensors to confirm no persons or objects before rising up/down the platforms. Steel parts are sandblasted then anti-corrosion primer painted and top finish color coated.



Dimensions and lifting capacity are customized

产品参数 Product parameters

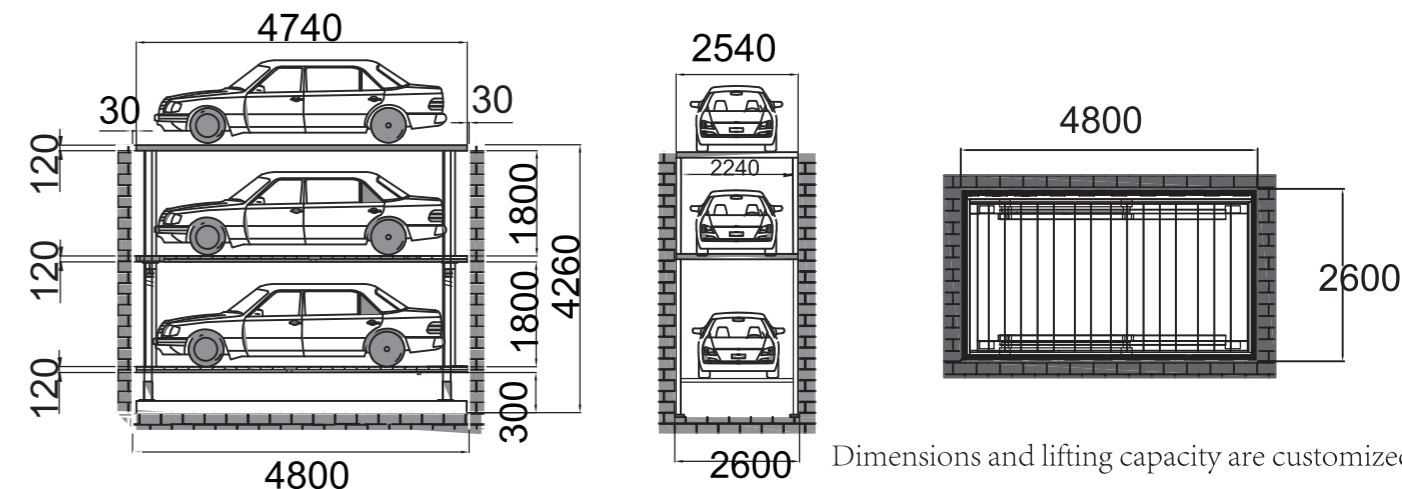
型号 (Model No.)	USS50	USS100
举升重量 (Lifting Capacity)	5000 Kg	10000 Kg
举升高度 (Lifting Height)	1750 mm	1750 mm
落地高度 (Self Closed Height)	750mm	850mm
升降速度 (Vertical Speed)	4-6 M / Min	
外形尺寸 (External Dimension)	5640 x 2740 x 2745 mm	
驱动方式 (Drive Mode)	4根油缸驱动 4 ea hydraulic cylinders	
容车尺寸 (Vehicle Size)	5600 x 2700mm x 1650 mm	
停车方式 (Parking Mode)	—地上，—地下 1 on the ground, 2 underground	
停车数量 (Parking space)	2 cars	
上升/下降时间 (Rise/Drop Time)	70 S / 60 S	
电源/功率 (Power Supply / Motor Capacity)	220 V / 380 V, 50 Hz / 60 Hz, 1 Ph / 3 Ph, 3.7 Kw	



» 产品特性

- 通过欧盟2006/42/CE机械指令认证
- 通过4根油缸达到液压驱动
- 可根据客户要求设计，适用于家用及商用
- 节省地面，充分利用地下空间，地面上没有钢结构
- 任何一层都可以直接存放或者取车
- 结构简单，安装和维护简单
- 平衡阀向4个油缸平均分配液压油，控制液压系统
- 电动操作盒上装有点控按钮，急停按钮
- 设备根据欧盟EN1493: 2010 and EN14010: 2003 标准设计生产
- 声光报警器确保升降时人员安全

CE Certified according to EC machinery directive 2006/42/CE Offer the most net width within narrow external width. Hydraulic driven through 4 ea hydraulic cylinders system. Flexible design according to customer requirements, suitable for residential & commercial use. Fully utilization of underground space, no prominent steel structure above ground level. Hide cars underground, no visible impact! People or cars could go thought on the top platform. Directly park or pick up the car at any level independently. Simple steel structure, easy for installation and maintenance. Control valve (package) to divide oil equally to the 4 cylinders and control the hydraulic system. Electric operation box is equipped with "Dead Man" Push Buttons (UP/Down) & Emergency Electric sensors to confirm no persons or objects before rising up/down the platforms.



Dimensions and lifting capacity are customized

产品参数 Product parameters

型号 (Model NO)	UPS-2	UPS-3
举升重量 (Lifting Capacity)	2000 Kg per platform	2000 Kg per platform
总高度 (Total Height)	2340 mm	4260 mm
设备尺寸 (External Dimensions)	4800 x 2600 x 4260 mm	4800 x 2600 x 6180 mm
停车数量 (Parking Space)	2 cars underground	3 cars underground
驱动方式 (Drive Mode)	液压 Hydraulic Driven	
操作方式 (Operation Mode)	电动按钮操控 Electric operation by push button	
安全保护 (Safety Device)	限位开关 limit switch, 光电开关 electric operation	
电源/功率 (Power Supply/Motor Capacity)	220 V / 380 V, 50 Hz / 60Hz, 1Ph/3Ph, 5.5Kw 2.6 M/S	

产品特性 Product features

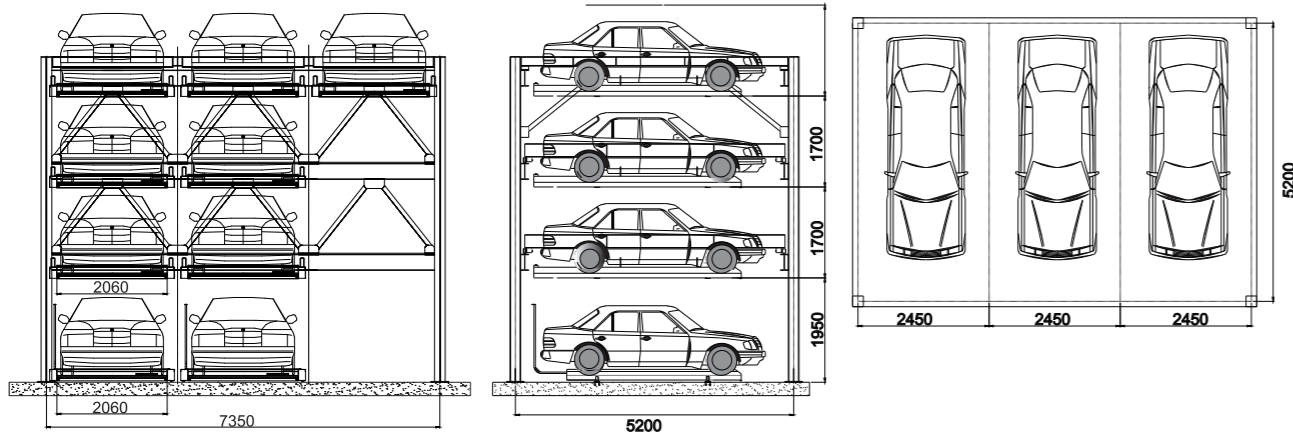
- 电机链条或钢丝绳驱动
- 多层停车位可以节省空间，2-6层，除了顶层，每一层有一个空余的停车位和前后导轨，载车板可横向移动，顶层的载车板只能上下移动，底层的载车板只能左右移动，其他的载车板既可以上下移动，又可以左右移动，根据需要不断的变换车位
- 多重安全保护，防坠落，防碰撞，防过载。光电开关检测，可在人员误入时运行自动停止，确保安全
- 控制面板上设有急停按钮，遇到紧急情况可随时停止工作
- PLC控制，操作简单，噪音低，存取方便，按钮，触摸屏，IC卡，遥控等多种操作方式

Motor driven and roller chain or steel rope lifting system.

Space saving with multiple parking space, multi-layers (2-6 layers), except the top layer, each layer has a spare parking space and front-rear guide rails through which the platforms move horizontally. The platforms on the top layer can only move up and down and the ground layer can only move horizontally and other platforms can move both horizontally and vertically to get continuous space shift. Multiple security protection device to prevent falling, collision and overload. Photo electric sensors to check and stop the unit when cars parked improperly or when persons cross in by accident.

Emergency stop push button mounted on operation panel as well.

PLC automatic control system. Push button, touch screen and IC for convenient parking and retrieving process.



产品参数 Product parameters

型号 (Model NO)	PSH20/2	PSH25/2	PSH30/2	
容车尺寸 (Vehicle Size)	L:	≤5000	≤5000	≤5250
	W:	≤1850	≤1850	≤2050
	H:	≤1550	≤1800	≤1950
驱动方式 (Drive Mode)	电机+钢丝绳 Motor driven+ Roller Chain			
举升电机功率/速度 (Lifting motor capacity /speed)	2.2 Kw 每分钟8米 (2/3 层) 2.2 Kw 8 M / Min (2/3 levels); 3.7 Kw/ 每分钟2.6米 (4/5/6层) 3.7 Kw 2.6 M / Min (4/5/6 levels)			
横移电机功率/速度 (Sliding motor capacity /speed)	0.2 Kw 每分钟8米 8 M / Min			
举升重量 (Loading Capacity)	2000 Kg	2500 Kg	3000 Kg	
操作方式 (Operation Mode)	按钮, IC卡, 手动 Keyboard / ID card/ Manual			
锁紧装置 (Safety Lock)	电磁铁安全锁紧和防坠落装置 Safety lock device by electromagnetism and fall protection device			
电源 (Power Supply)	220 V / 380 V, 50 Hz / 60 Hz, 1 Ph / 3 Ph, 2.2 Kw			

产品特性

- 电机钢丝绳驱动
- 结构简单，故障率低，安全系数高，车位入口处没有前立柱和前横梁，增加了车道宽度，进出车非常方便
- 连接柱子的后悬臂承重
- 顶层车位只做升降动作，底层车位只做横移动作
- PLC自动控制系统，使用按钮，触摸屏和IC，方便停车和收回过程

● 多重安全保护，防坠落，防碰撞，防过载

● 光电开关检测，可在人员勿入时运行自动停止，确保安全

Motor driven and steel rope lifting system.

Simple structure, high safety, no front posts to facilitate the entry of the car on platform.

Dependent & space saving with 2 vertical levels.

Back cross bars connected to the back posts to carry the load on platforms.

Working principle: upper platforms can only move vertically while lower platforms can only slide horizontally.

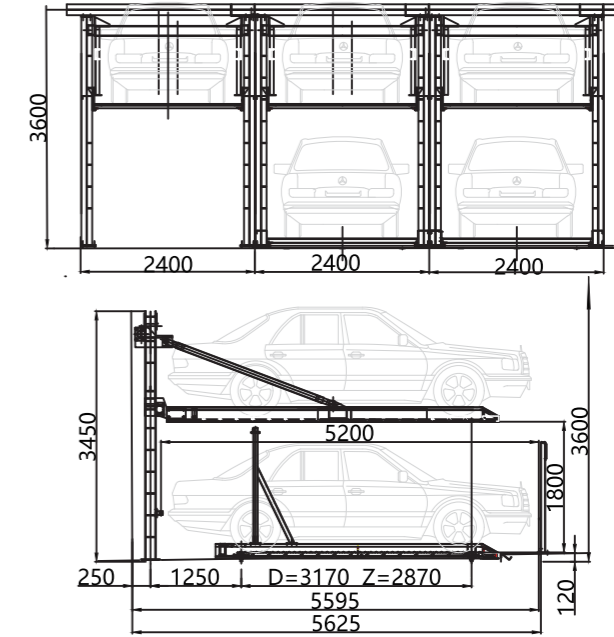
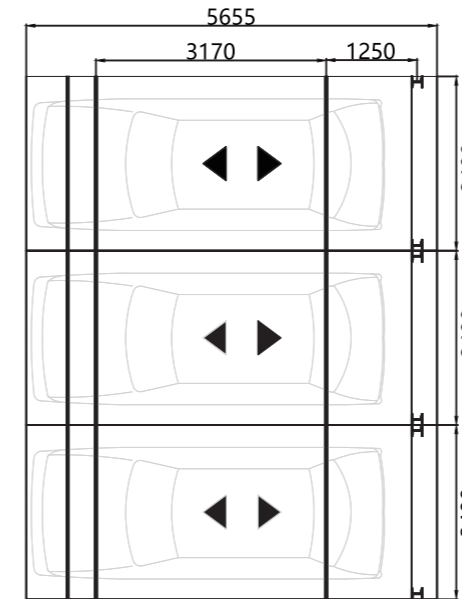
PLC automatic control system. Push button, touch screen and IC for convenient parking and retrieving process.

Safety hook device to prevent falling, collision and overload.

Photo electric sensors to check and stop the unit when cars parked improperly or when persons cross in by accident.

Emergency stop push button mounted on operation panel as well.

Steel parts are sandblasted then anti-corrosion primer painted and top finish color coated



产品参数 Product parameters

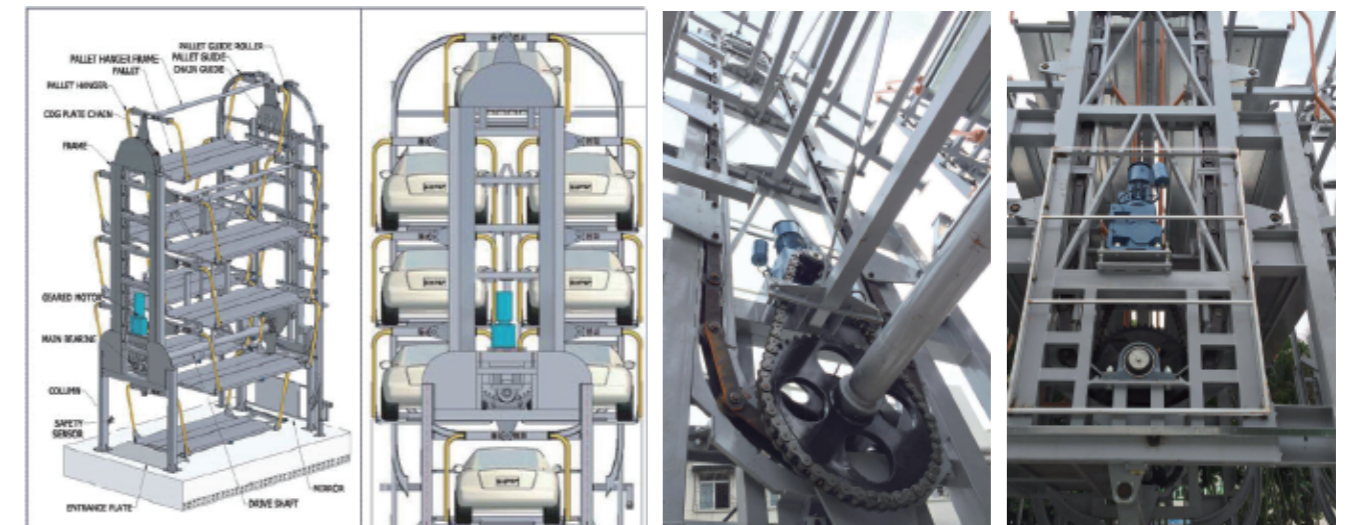
型号 (Model NO.)	PHX23/2-3D
举升电机功率/速度 (Lifting motor power/speed)	2.2 Kw 8 M/ Min (2 levels)
横移电机功率/速度 (Sliding motor power/speed)	0.2 Kw 4 M / Min
驱动方式 (Drive Mode)	电机+钢丝绳 Motor driven+ Roller Chain
举升重量 (Loading Capacity)	2350 Kg
最大容车尺寸 (Max parking size)	5200 x 1900 x 1550 mm
安全装置 (Safety Device)	电磁铁安全锁紧和防坠落装置 Safety lock device by electromagnetism and fall protection device



» 产品特性

- 电动，链条提升系统。在左右方向上垂直循环停车
- 容易安装在左上方的空间或是小区域，由于简单的圆形旋转型机械而不会导致故障
- 在两个车位的空间上，解决最多20辆车的停车问题
- 简单的触摸控制不需要管理人员/操作人员
- 选择正确的近路程旋转方向，缩短入口和出口时间
- 表面用环氧聚酯漆，或根据客户要求
- PLC自动控制系统，在触摸屏上呼叫所需的车辆
- 表面喷塑处理，美观耐用

Motor driven, chain lifting system.
Designed to park vehicles by vertically circulating cage in CW / CCW directions.
The most space efficient parking solution as you can park up to 20 cars in small area doesn't exceed 2 cars.
Simple one-touch control and doesn't require professional operator.
Intelligent rotation direction (in CW / CCW) to shorten entry / exit time.
PLC automatic control system, touch screen to call the required vehicle in one touch.
Steel parts are sandblasted then anti-corrosion primer painted and top finish color coated



产品参数 Product parameters

型号 (Model NO.)	PCX20/9-16D	PCX25/9-16D
举升重量 (Lifting Capacity)	2000 Kg	2500 Kg
容车尺寸 (Vehicle Size)	5200 x 1900 x 2050 mm	5300 x 2000 x 2000 mm
容车数量 (Parking Space)	16 cars	
驱动方式 (Drive mode)	电机+链条+链轮齿 motor + chain + sprocket	
功率/速度 (Motor Capacity /Speed)	7.5 Kw x 4 P/ 4.4 M / Min (2 RPM) 15 Kw-MOTOR	9.2 Kw/≤4.4 M/ Min
操作方式 (Operation Mode)	刷卡/手动按钮/触屏 IC card/ press button/touch sreen	
跑板材料 (Platform Materials)	2.2 mm厚度的镀锌波浪板 2.2 mm galvanized wave plate	
设备载重 (Total Loading Capacity)	22000 Kg	23640 Kg
保修期 (Warranty)	除产品质量问题外2年。 2 years against manufacturing defects	
安装空间 (Installation space(mm))	6000 x 4850 mm	6500 x 5500 mm
防护装置 (Safety Device)	光电开关 Photo Electric Sensor	
电源/功率 (Power Supply/Motor Capacity)	220 V/ 380 V, 50 Hz /60 Hz, 1 Ph/ 3 Ph, 7.5 Kw	

汽车举升机 CAR SERVICE LIFT

设计、制造、安装于一体

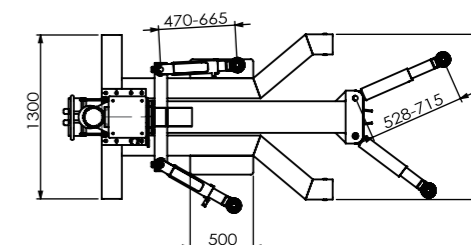
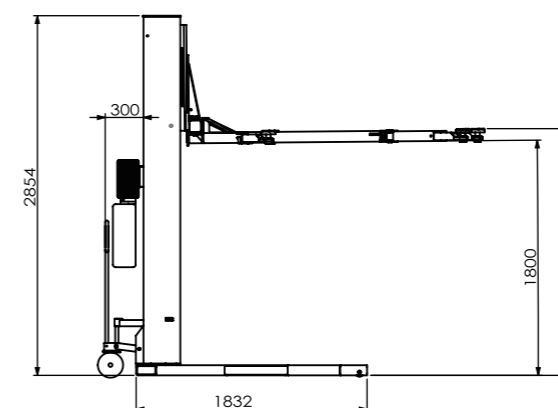
- 单柱举升机 / SINGLE POST CAR LIFT
- 地盖板式双柱举升机 / FLOOR PLATE TWO POST CAR LIFT
- 龙门式双柱举升机 / CLEAR FLOOR TWO POST CAR LIFT
- 四柱举升机 / FOUR POST CAR LIFT
- 移动小剪式举升机 / MOVABLE SCISSOR LIFT
- 低位剪式举升机 / LOW-RISE SCISSOR LIFT
- 平台剪 / PLATFORM SCISSOR LIFT
- 中位剪 / MID-RISE SCISSOR LIFT
- 子母剪式举升机 / DOUBLE-LEVEL PLATFORM SCISSOR LIFT
- 两柱平衡阀举升机 / BALANCE VALVE TWO POST LIFT
- 摩托剪式举升机 / SCISSOR MOTORCYCLE LIFT
- 地藏式中位剪式举升机 / SPRAY BOOTH SCISSOR LIFT



产品特性 Product features

- ◎ 液压链条驱动，升降平稳
- ◎ 手动解锁
- ◎ 简洁美观，占地面积小，实用性强
- ◎ 支臂高度适合跑车进入
- ◎ 聚氨酯螺旋或固定托掌，免费增高器
- ◎ 有固定款和移动（带推车）款两种选择
- ◎ 金属部分抛丸喷塑处理，美观耐用

Hydraulic driven, chain lifting system.
Stability in raising and lowering the car.
Manual lock release.
Simple and beautiful appearance, small space occupation,
The ground position of swing arms is suitable for race cars to stand on.
Polyurethane durable screw/ fixed pads and free high adapters
The lift has two options, fixed and movable with integrated casters.
Steel parts are sandblasted then anti-corrosion primer painted and top finish color coated.



产品参数 Product parameters

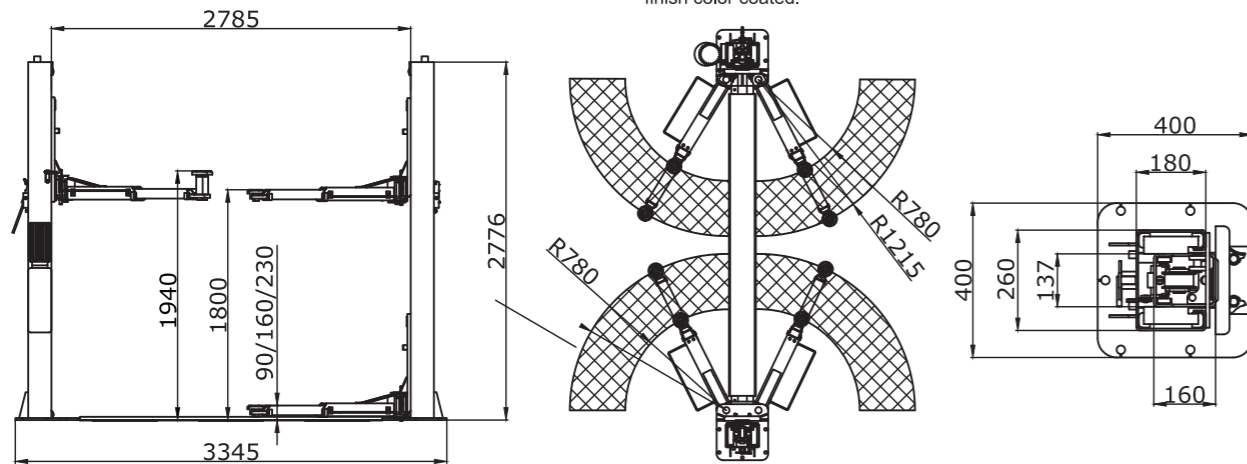
型号 (Model NO.)	LOP10/1600	LOP25/1800
举升重量 (Lifting Capacity)	1000 Kg	2500 Kg
净举升高度 (Net Lifting Height)	1805 mm	1800 mm
锁紧 (Lock Release)	手动解锁 Manual Unlock	手动解锁 Manual Unlock
总高度 (Total Height)	2564 mm	2854 mm
其他解锁方式 (Another Lock Release)	亦可电动解锁 Electric unlock is also available	
上升/下降时间 (Rise/Drop Time)	50 S / 40 S	
电源/功率 (Power Supply/Motor Capacity)	220 V / 380 V, 50 Hz / 60 Hz, 1 Ph / 3 Ph, 2.2 Kw	



产品特性 Product features

- 双缸液压，钢丝绳平衡系统
- 滑台连接链条，在立柱上下滑动
- 滑块部分采用高分子聚乙烯材料，耐磨耐高温
- 底盖板高度低，进出方便，适合低层高汽修店
- 自动安全锁，手动解锁，安全可靠
- 可选IP 65 优质电子元件电控盒 (CHINT)
- 聚氨酯螺旋或固定托掌，免费增高器

Dual-cylinder hydraulic driven and wire rope-balancing system.
Lifting carriages connected to roller chain, sliding on the posts.
High polymer polyethylene slide blocks, wear-resistance.
Low cable cover plate design, suitable for low ceiling repair shops.
Convenient for driving in and out.
Automatic safety locks, manual lock release system, safe and reliable.
Optional electric control panel IP 65 with high quality components(CHINT)
Polyurethane durable screw/ fixed pads and free high adapters
Steel parts are sandblasted then anti-corrosion primer painted and top finish color coated.



产品参数 Product parameters

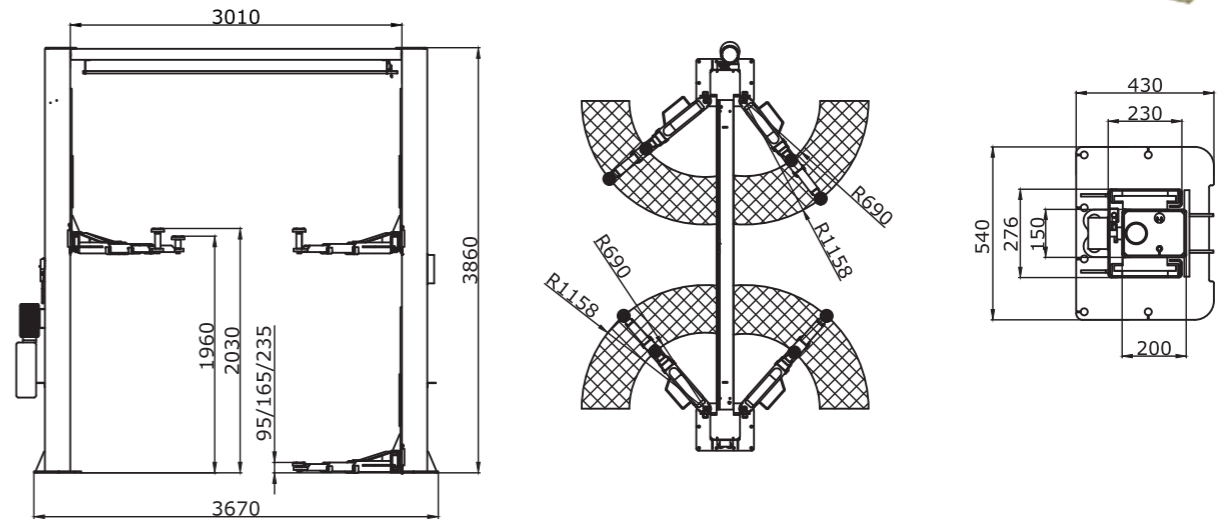
型号 (Model NO.)	LTF35/1800	LTF40/1800
举升重量 (Lifting Capacity)	3500 Kg	4000 Kg
最大举升高度 (Max Lifting Height)	1800 mm	1800 mm
安全锁紧 (Lock Release)	手动解锁 Manual Release	手动解锁 Manual Release
其他解锁方式 (Another Lock Release)	电动解锁 Electric unlock is also available	
上升/下降时间 (Rise/Drop Time)	50 S / 40 S	
电源/功率 (Power Supply/Motor Capacity)	220 V / 380 V, 50 Hz / 60 Hz, 1 Ph / 3 Ph, 2.2 Kw	

产品特性 Product features



- 通过欧盟2006/42/CE机械指令认证
- 双缸液压驱动，钢丝绳平衡
- 油缸带动滑台在柱子上滑动
- 高分子聚乙烯滑块，耐磨耐高温
- 柱间距宽阔无底板
- 双柱自锁系统，手动或电动解锁系统
- 限位杆安装限位开关，限高自动停机
- 举升高度可调节，适用于各种车型
- 3节支臂适用于各种车型
- 可选IP 65 优质电子元件电控盒 (CHINT)
- 聚氨酯螺旋或固定托掌，免费增高器
- 金属部分抛丸喷塑处理，美观耐用

Dual-cylinder hydraulic driven and wire rope balance system.
Lifting carriages connected to cylinders, sliding on the posts.
High polymer polyethylene slide blocks, wear-resistance
Extra width between two posts without floor plate.
Automatic safety locks, manual lock release system.
Limiting displacement bar with limit switch to stop lifting in the highest position.
Adjustable lifting height to suit any type of cars.
3 stages swing arms to fit long cars.
Optional electric control panel IP 65 with high quality components (CHINT)
Polyurethane durable screw/ fixed pads and free high adapters
Steel parts are sandblasted then anti-corrosion primer painted and top finish color coated.
CE Certified according to EC machinery directive 2006/42/CE



产品参数 Product parameters

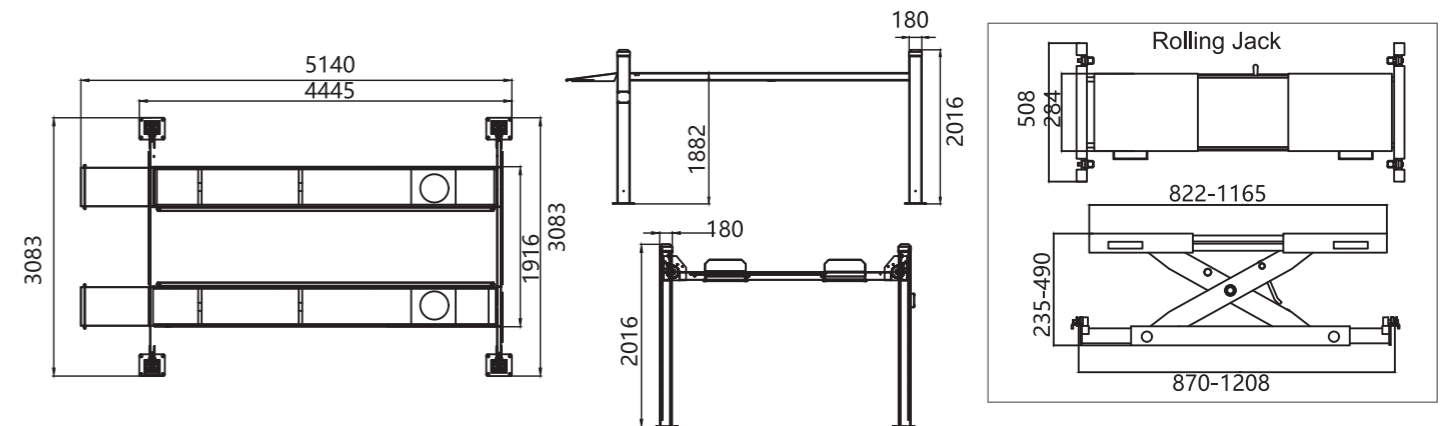
型号 (Model NO.)	LTC35/1850-2J	LTC40/1850-2J	LTC45/1960-3J	LTC50/1960-3J
举升重量 (Lifting Capacity)	3500 Kg	4000 Kg	4500 Kg	5000 Kg
最大举升高度 (Max Lifting Height)	1850 mm	1850 mm	1960 mm	1960 mm
总高度 (Total Height)	3670 mm	3670 mm	3860 mm	3860 mm
毛重 (Gross Weight)	680 Kg	720 Kg	760 Kg	800 Kg
举升臂样式 (Arm Type)	2节支臂，配有托掌及增高器 2 Stage arms with lifting pads and extension adaptors		3节支臂，配有托掌及增高器 3 Stage arms with lifting pads and extension adaptors	
解锁 (Lock Release)	手动解锁，也可电动解锁 Manual release and electric release could also be available			
限位开关 (Limit Switch)	1 ea, one on post or top beam	2 ea, one on post and other on top beam		
上升/下降时间 (Rise/Drop Time)	50 S / 40 S			
电源/功率 (Power Supply/Motor Capacity)	220 V / 380 V, 50 Hz / 60 Hz, 1 Ph / 3 Ph, 2.2 Kw			3.0 Kw



» 产品特性 Product features

- ◎ 液压钢丝绳驱动
- ◎ 可预调的自锁机构保证在不同高度上的安全
- ◎ 机械锁紧，气动解锁
- ◎ 跑板内侧配备计划其他装置如二次举升小剪及接油盘使用的滑轨
- ◎ 跑板及上车板采用花纹板
- ◎ 两个高承重转角盘
- ◎ 配有液压驱动二次举升小剪，手动解锁，配有气压阀
- ◎ 可选IP 65 优质电子元件电控盒（CHINT）
- ◎ 聚氨酯螺旋或固定托掌，免费增高器
- ◎ 金属部分抛丸喷塑处理，美观耐用

Hydraulic driven cylinder with wire rope lifting system.
Anti-falling blocks in four posts ensure the safety at different height.
Automatic safety locks with pneumatic lock release.
Internal sliding channels suitable other devices such as rolling jack & oil drip trays.
Diamond steel plate runways and ramps.
2 ea heavy duty sliding turn plates.
Equipped with hydraulic driven rolling jack, manual lock release with pneumatic pump.
Optional electric control panel IP 65 with high quality components (CHINT).
Polyurethane durable screw/ fixed pads and free high adapters
Steel parts are sandblasted then anti-corrosion primer painted and top finish color coated.



产品参数 Product parameters

型号 (Model NO.)	LFP45/1780/A
驱动方式 (Drive Mode)	液压油缸+ 钢丝绳Hydraulic driven + Wire rope
举升重量 (Lifting Capacity)	4500 Kg
举升高度 (Lifting Height)	1882 mm
跑板间宽度 (Width Between Runways)	945 mm
总高度 (Overall Height)	2106 mm
外形尺寸 (External Dimension)	5140 x 3083 x 2106 mm
上升/下降时间 (Rise/Drop Time)	70 S / 60 S
额定油压 (Rated Oil Pressure)	18 Mpa
解锁 (Lock Release)	气动解锁 Pneumatic unlock
电源/功率 (Power Supply/Motor Capacity)	220 V / 380 V , 50 Hz / 60 Hz , 1 Ph / 3 Ph , 2.2 Kw
安全保护 (Safety Device)	四点自动锁紧，多重安全锁，可调式自锁系统保证安全 (Four points automatic safety locks , Multiple safety locks, Adjustable self-lock system to ensure safety)

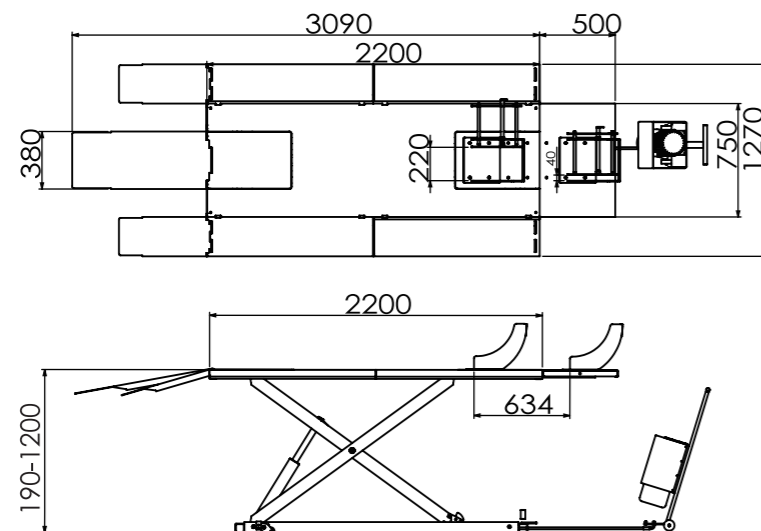
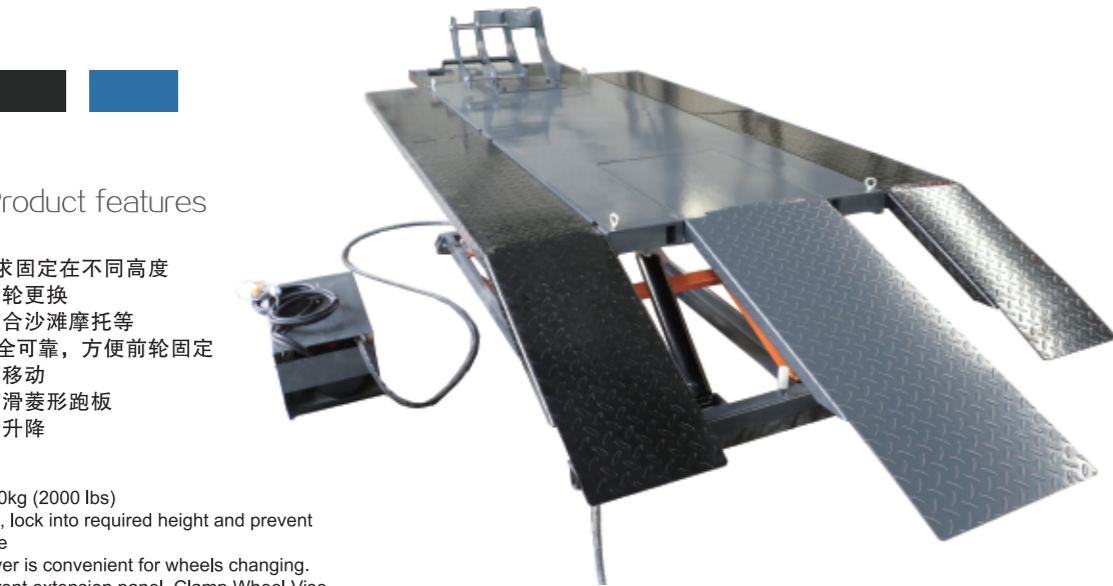
四柱举升机 FOUR POST CAR LIFT



产品特性 Product features

- 载重高达900kg
- 6级安全锁紧，可按需求固定在不同高度
- 可拆卸前后盖便于前后轮更换
- 标配可拆卸延伸板，适合沙滩摩托等
- 标配前轮加紧结构，安全可靠，方便前轮固定
- 标配行走小推车，方便移动
- 电动单缸液压控制，防滑菱形跑板
- 标配遥控器，方便控制升降
- 表面喷涂处理

1. Lifting capacity up to be 900kg (2000 lbs)
2. 6 different locking positions, lock into required height and prevent unwanted lowering of the table
3. Removable front & rear cover is convenient for wheels changing.
4. Included side extensions, front extension panel, Clamp Wheel Vise, Wheel Kit & Dolly, suit to ATV.
5. Single cylinder hydraulic driven, Skid proof diamond platform..
6. Hand held remote control for lifting up & down.
7. Powder coated on the surface.



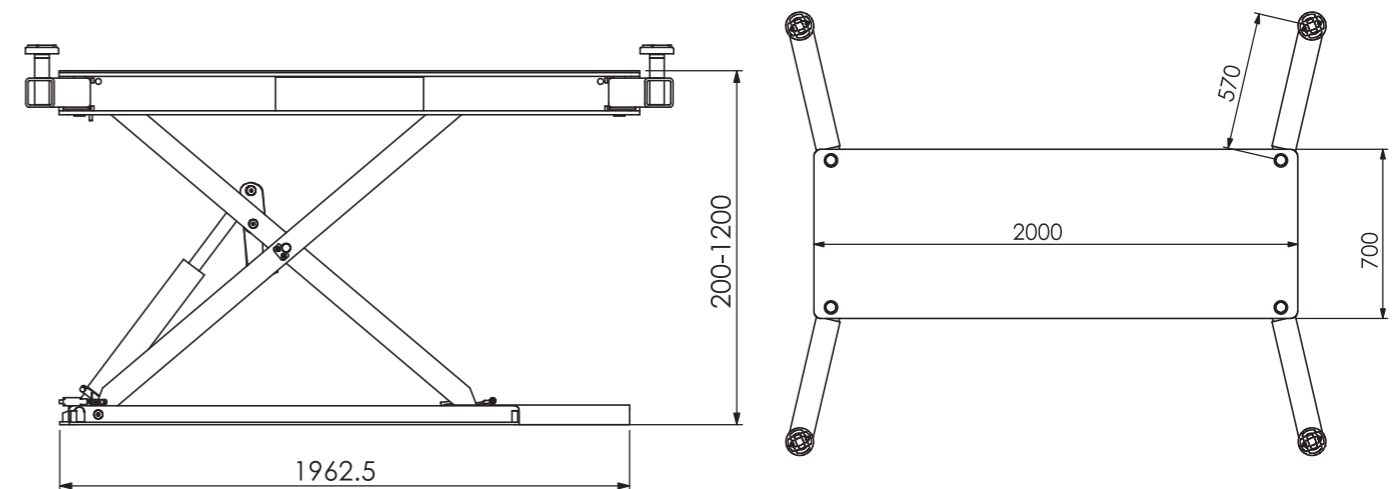
产品参数 Product parameters

型号 (Model NO.)	LM090/1200
举升重量 (Lifting Capacity)	900 Kg
举升高度 (Lifting Height)	1200 mm
最低高度 (Min Height)	190 mm
外形尺寸 (External Dimension)	3590 x 1270 x 1200 mm
驱动方式 (Drive mode)	液压驱动Hydraulic driven
上升/下降时间 (Rise/Drop Time)	30 S / 20 S
电源/功率 (Power Supply/Motor Capacity)	220 V / 380 V , 50 Hz / 60 Hz , 1 Ph / 3 Ph , 2.2 Kw

产品特性 Product features

- 欧洲设计，液压双油缸驱动
- 独特的阻力器设计运行平稳安全
- 控制箱带移动轮适合不同场地需求，电动解锁或是气动解锁客户根据需求选购（烤漆房用气动解锁的带油水分离器和气压表）
- 支臂可收缩节省地坑占地面积，并适合不同车型应用，根据不同车型支臂可以在不同位置锁紧定位
- 地藏设计，外观简洁，存放，使用便捷，设备自身高强度组合落地后地面可正常应用，节省场地
- 本产品可用于各种烤漆房，汽修店，汽车展厅，停车场，大梁校正仪，家庭自用

European Design, Two double stage hydraulic cylinders. Unique resistance design makes the equipment run smoothly and safely. Ground hides design, fit for the underground installation, save space. Foldable arms save space and suitable for different kind of vehicles, and it can be locked at different angles. Mechanical locks on the basement ensure the safety of operation. Pneumatic unlock & Electric unlock both are available. Rigid connection of the whole structure to ensure synchronization. Steel parts are sandblasted then anti-corrosion primer painted and top finish color coated. This product can be used in various Spray booth, Garage, car exhibition hall, parking lot, autorobot IV, household use.



产品参数 Product parameters

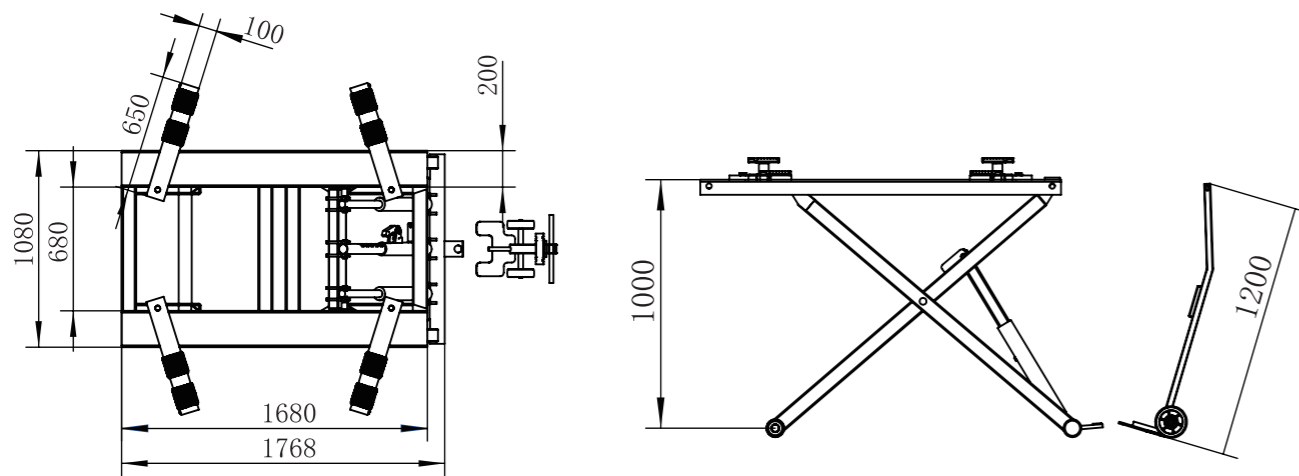
型号 (Model NO.)	LS30/1200
举升重量 (Lifting Capacity)	3000 Kg
举升高度 (Lifting Height)	1200 mm
最低高度 (Min Height)	120 mm
外形尺寸 (External Dimension)	1962.5x 700 x 1200 mm
驱动方式 (Drive mode)	液压驱动Hydraulic driven
上升/下降时间 (Rise/Drop Time)	30 S / 20 S
电源/功率 (Power Supply/Motor Capacity)	220 V / 380 V , 50 Hz / 60 Hz , 1 Ph / 3 Ph , 2.2 Kw



» 产品特性 Product features

- 无需安装，移动使用
- 安全锁把，手动解锁
- 平台采用硬连接结构，确保平台同步性
- 金属部分采用抛丸喷塑处理，美观耐用

Movable, with portable power unit cart serves as pull handle.
Safety lock bar & manual lock release.
Rigid connection of the whole structure to ensure synchronization.
Steel parts are sandblasted then anti-corrosion primer painted and top finish color coated.



产品参数 Product parameters

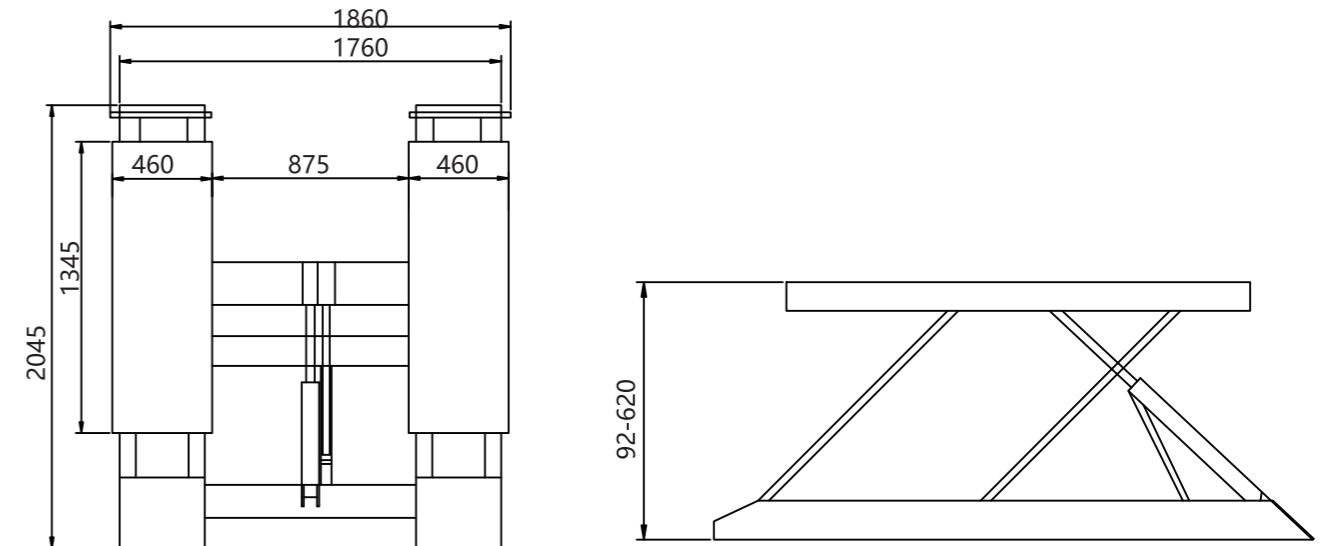
型号 (Model NO.)	LS27/1000/M	LS30/1200/M
举升重量 (Lifting Capacity)	2700 Kg	3000 Kg
最大举升高度 (Max Lifting Height)	1100 mm	1300 mm
平台 (Platform) L* W	1680 x 1080 mm	
可移动设备 (Movable device)	拉杆 Pull handle	
解锁 (Lock Release)	手动解锁 Manual Release	
其他解锁方式 (Another Lock Release)	电动解锁 Electric unlock is also available	
上升/下降时间 (Rise/Drop Time)	50 S / 40 S	
电源/功率 (Power Supply/Motor Capacity)	220 V / 380 V, 50 Hz / 60 Hz, 1 Ph / 3 Ph, 2.2 Kw	



» 产品特性

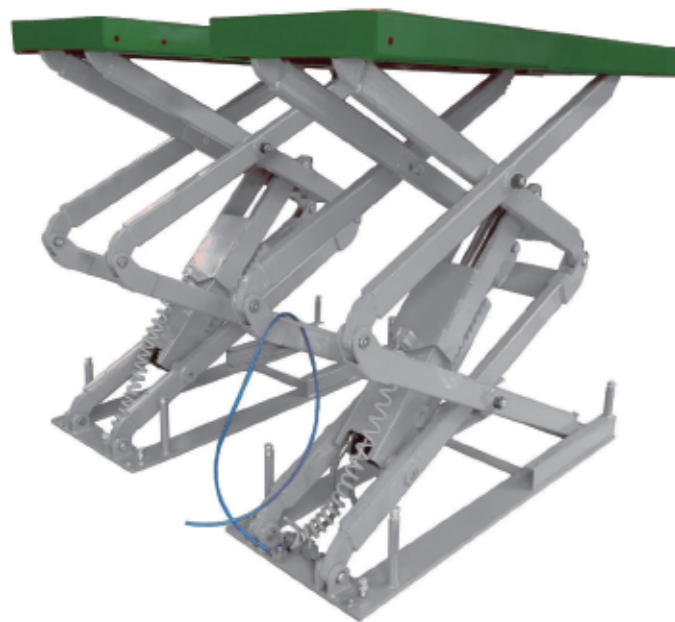
- 地上和地下两种安装方式
- 超低高度92mm,方便底盘低的跑车进入
- 安全锁把，机械自动解锁
- 设计有可延伸平台结构

Optional over ground or underground (Pit) type.
Safety lock bar & manual lock release.
Ultra low folded height 92 mm, convenient for the race cars to go in.
Extendable platforms satisfy different repair service.
Steel parts are sandblasted then anti-corrosion primer painted and top finish color coated.



产品参数 Product parameters

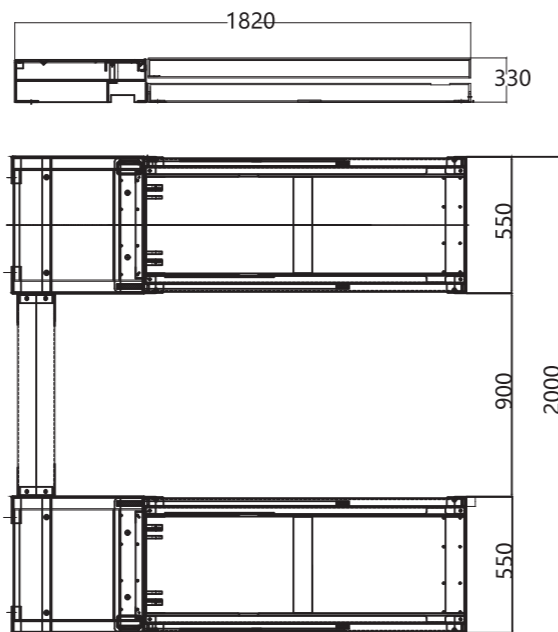
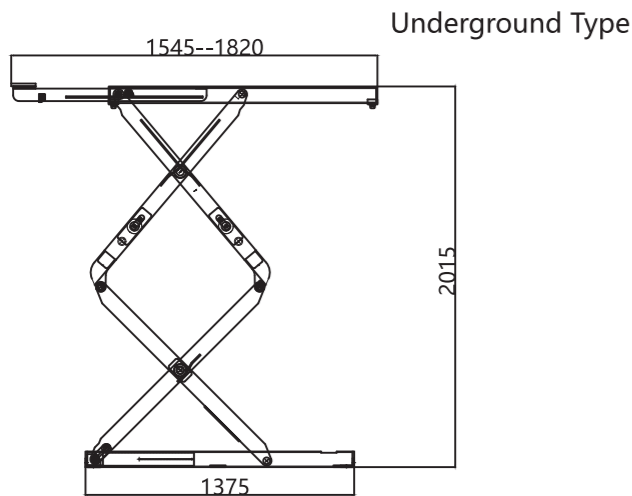
型号 (Model NO.)	LS25/620/T100
举升重量 (Lifting Capacity)	2500 Kg
最大举升高度 (Max Lifting Height)	620 mm
最低高度 (Min Height)	92 mm
外形尺寸 (External Dimension)	2045 x 1860 mm
解锁 (Lock Release)	机械自动解锁 Automatic Unlock
上升/下降时间 (Rise/Drop Time)	50 S / 20 S
电源/功率 (Power Supply/Motor Capacity)	220 V / 380 V, 50 Hz / 60 Hz, 1 Ph / 3 Ph, 2.2 Kw



» 产品特性 Product features

- 地上和地下两种安装方式,地上安装配有上车板
- 安全锁把, 气动解锁, 安全可靠
- 两根油缸同步回路, 保持两平台高度误差在3mm以内
- 折叠后仅为330 mm
- 可延伸平台满足不同修理服务
- 金属部分采用抛丸喷塑处理, 美观耐用

Optional over ground or underground (Pit) type.
Over ground type has ramps from both sides.
Safety lock bar & pneumatic or electric lock release, safe and stable.
Power unit pumps the oil to the balance valve which controls the same amount of oil for the dual cylinders of the two sides.
Platforms go up and down simultaneously with tolerance within 3 mm.
Slim folded height, 330 mm.
Extendable platforms satisfy different repair service.
Steel parts are sandblasted then anti-corrosion primer painted and top finish color coated.



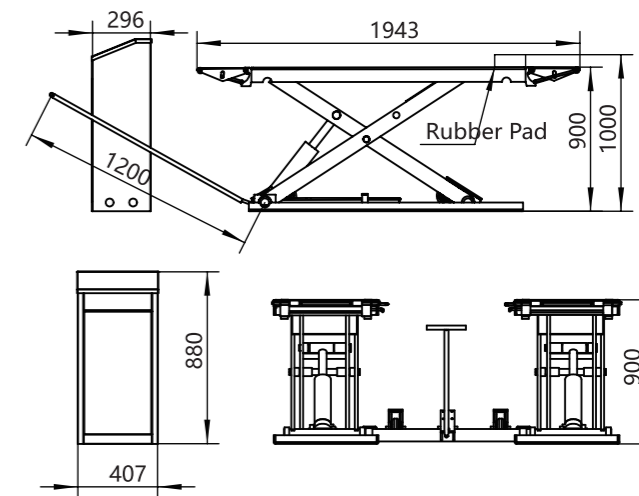
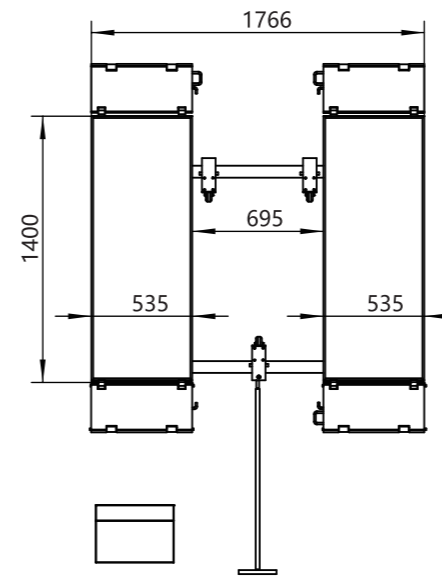
产品参数 Product parameters

型号 (Model NO.)	LS35/2015 (over ground)	LS35/2015 (under ground)
举升重量 (Lifting Capacity)	3500 Kg	3500 Kg
最大举升高度 (Max Lifting Height)	2015 mm	2015 mm
解锁方式 (Lock Release)	气动解锁 Pneumatic lock release	气动解锁 Pneumatic lock release
外形尺寸 (External Dimension)	3660 x 2032 mm	1820x 2000 mm
最低高度 (Min Height)	330 mm	330 mm
上升/下降时间 (Rise/Drop Time)	50 S/ 40 S	
电源/功率 (Power Supply/Motor Capacity)	220 V / 380 V , 50 Hz / 60 Hz , 1 Ph / 3 Ph , 2.2 Kw	

» 产品特性 Product features

- 可移动设计, 配有可移动拉杆
- 可移动动力单元箱
- 安全锁把, 手动解锁
- 气动解锁, 或电动解锁
- 最低105 mm, 适合低底盘车辆
- 耐磨高强度高分子聚乙烯滑块
- 金属部分采用抛丸喷塑处理, 美观耐用

Movable, with portable pull handle.
Movable power unit cart / box.
Safety lock bar & manual lock release.
Pneumatic or electric lock release.
105 mm unit folded height is convenient for cars to cross over.
High polymer polyethylene slide blocks, wear-resistance.
Steel parts are sandblasted then anti-corrosion primer painted and top finish color coated.



产品参数 Product parameters

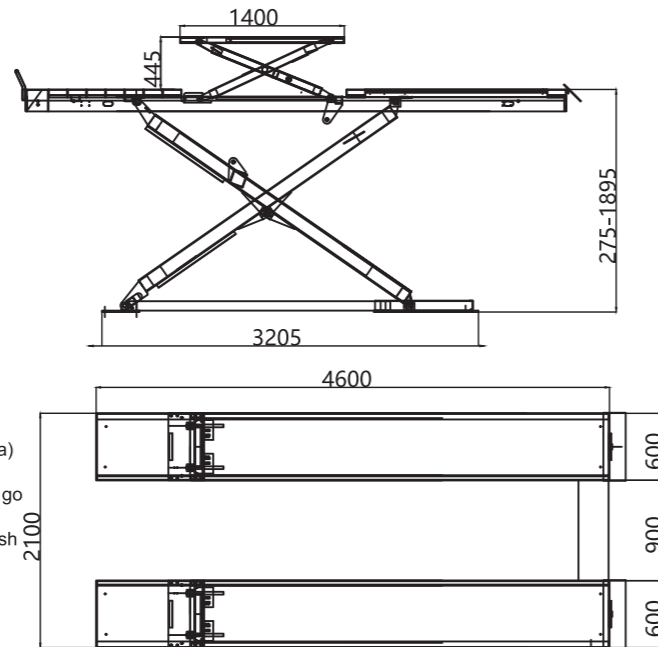
型号 (Model NO.)	LS35/1000/MR
举升重量 (Lifting Capacity)	3500 Kg
最大举升高度 (Max Lifting Height)	1000 mm
解锁方式 (Lock Release)	气动或者电动解锁 Pneumatic or electric unlock
外形尺寸 (External Dimensions)	1943 x 1766 mm
最低高度 (Min Height)	105 mm
上升/下降时间 (Rise/Drop Time)	30 S/ 20 S
电源/功率 (Power Supply/Motor Capacity)	220 V / 380 V , 50 Hz / 60 Hz , 1 Ph / 3 Ph , 2.2 Kw



产品特性 Product features

- 地上和地下两种安装方式
- 可在中间或是两侧设计二次举升
- 实现两根油缸同步回路，保持两平台高度差在3mm 以内
- 自动锁紧，气动解锁
- 金属部分采用抛丸喷塑处理，美观耐用

Two types: over ground and underground.
Automatic lock while pneumatic lock release.
Designed to have either (2 ea) rolling jacks in the middle or integrated (2ea) lifting trolley on both sides for wheel alignment function.
Dual cylinders with synchronous hydraulic circuit to ensure both platforms go up & down simultaneously within 3 mm tolerance.
Steel parts are sandblasted then anti-corrosion primer painted and top finish color coated.



产品参数 Product parameters

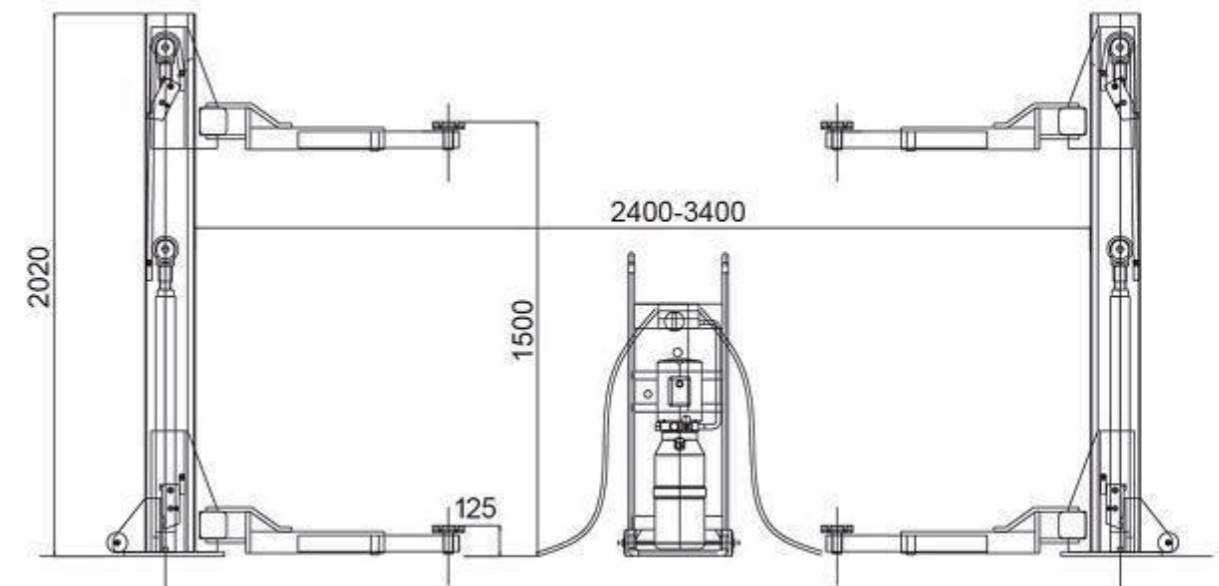
型号 (Model NO.)	LS35/1850/A	LS45/1850/A
举升重量 (Lifting Capacity)	3500 Kg	4500 Kg
最大举升高度 (Max Lifting Height)	1895 mm	
解锁方式 (Lock Release)	气动解锁 Pneumatic unlock	
外形尺寸 (External Dimension)	4600 x 2100 x 2340 mm	
最低高度 (Min Height)	275 mm	
上升/下降时间 (Rise/Drop Time)	60 S / 50 S	
电源/功率 (Power Supply/Motor Capacity)	220V/380V, 50Hz/60Hz, 1Ph/3Ph, 2.2 Kw	220V/380V, 50Hz/60Hz, 1Ph/3Ph, 3 Kw



产品特性 Product features

- 安装在地上
- 油缸驱动，平衡阀控制油缸进油达到平衡，两平台的高度差在3mm 以内
- 通过油缸带动滑台在柱子上滑动
- 自动锁紧，手动解锁
- 2借支臂并配有托掌
- 金属部分采用抛丸喷塑处理，美观耐用

Dual cylinders with synchronous hydraulic circuit to ensure both carriages go up & down simultaneously within 3 mm tolerance..
Lifting carriages connected to cylinders, sliding on the posts.
Automatic safety locks, manual lock release system.
High polymer polyethylene slide blocks, wear-resistance
Adjustable distance between the two posts to fit any car size.
2 stages swing arms with integrated pads.
Steel parts are sandblasted then anti-corrosion primer painted and top finish color coated.



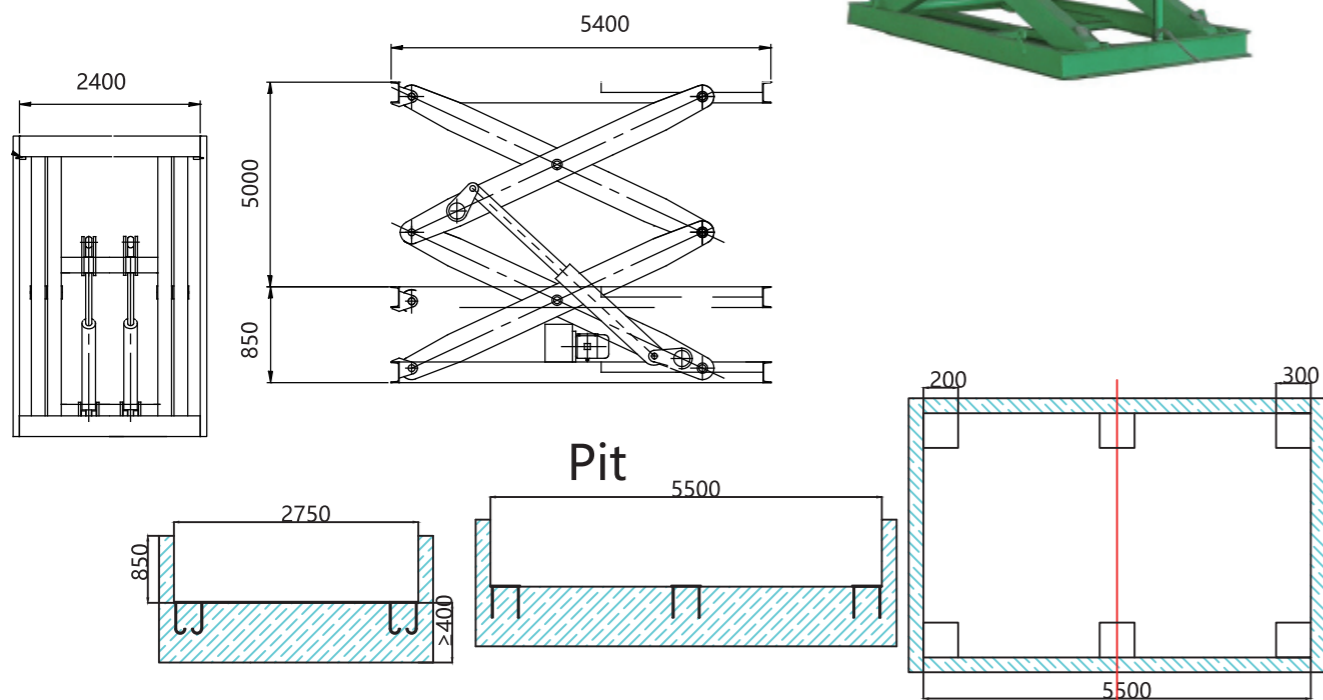
产品参数 Product parameters

型号 (Model NO.)	LTB35/1800
举升重量 (Lifting Capacity)	3500 Kg
举升高度 (Lifting Height)	1500 mm
立柱间宽度 (Width between the columns)	2400-3400 mm
解锁方式 (Lock Release)	电动解锁或手动解锁 Electric or manual unlock
电源/功率 (Power Supply/Motor Capacity)	220 V / 380 V , 50 Hz / 60 Hz , 1 Ph / 3 Ph , 2.2 Kw

» **产品特性** Product features

- 液电驱动和2个活塞和气缸驱动
- 稳定性好，应用范围广泛，主要用于存在高差的地方
- 可安装在地下，不占用地面空间
- 安全扶手（U型），便携式，钢管制造
- 可以承受50吨以上的卡车
- 安全锁，以避免突然下降的平台-在任何情况下-从调整高度

Hydraulic driven by electric motor and 2 ea piston & cylinder.
Cover a wide range of applications, mainly used for high heights up to 5850mm..
Folded inside pit, doesn't occupy any ground space.
Withstand passing of trucks up to 5 tons over it.
Portable safety Guard Rails (U shape), made of steel square tubes.
Anti-falling mechanical locks to ensure safety at different heights under any circumstances.



产品参数 Product parameters

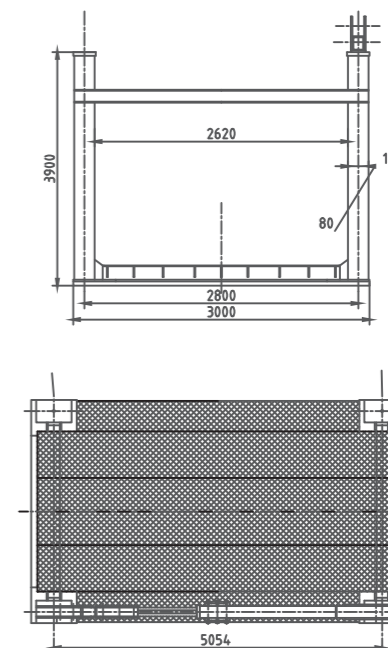
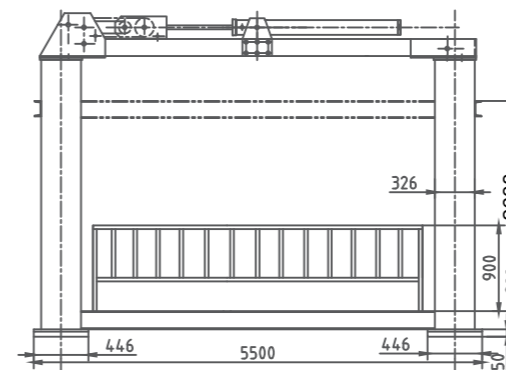
型号 (Model NO.)	LFS20/5720
举升重量 (Lifting Capacity)	2000 Kg
最大举升高度 (Max Lifting Height)	5850 mm
净举升高度 (Net Lifting Height)	5000 mm
平板尺寸 (Platform Size)	5400 x 2400 mm
地坑尺寸 (Pit Dimension)	5500 x 2750 x 850 mm
电源 (Power Supply)	220 V / 380 V , 50 Hz / 60 Hz , 1 Ph / 3 Ph
功率 (Motor Capacity)	4 Kw
举升速度 (Lifting speed)	4-6 M / Min



» **产品特性** Product features

- 液压链条驱动，气动解锁
- 升降平台可安装在地面上，无需地坑
- 双链条装置，安全，使用寿命长
- 两侧可安装护栏，确保安全
- 表面喷漆处理

Hydraulic + Chain driven and pneumatic lock release system.
The Car elevator will be installed on the ground floor without pit.
Dual chain device, safe and long service life
Fixed fence barrier gates cover 2 sides of the platform ensure safety.
Surface treatment of steel parts are spray paint



产品参数 Product parameters

型号 (Model NO.)	LFP20/2638
举升重量 (Lifting Capacity)	2000 Kg
最大举升高度 (Max Lifting Height)	2838 mm (including base with height of 200mm)
总高度 (Total Lifting Height)	5000 mm
平台尺寸 (Platform Size)	5040 x 2800 mm
解锁方式 (Lock release type)	pneumatic lock release
电源 (Power Supply)	220 V / 380 V , 50 Hz / 60 Hz , 1 Ph / 3 Ph
功率 (Motor Capacity)	4 Kw
举升速度 (Lifting speed)	4-6 M / Min

